



CAD/CAM Solution


www.dentisimplant.co.kr




DENTIS

 Tel. +82-1899-2804 | Fax. +82-53-583-2806
99, Seongseoseo-Ro, Dalseo-Gu, Daegu, Korea

 Tel. +1-323-677-4363 | Fax. +1-323-677-4366
11095 Knott Ave. ABC, Cypress CA 90630

 Tel. +021-5111-3828 | Fax. +021-5111-3828
上海市长宁区中山西路933号2205室

 Tel. +34 91 072 62 27 | <https://dentiseurope.com/>
Travesía C. Doctor Fleming, 16

COPYRIGHT ©2024 DENTIS COLTD ALL RIGHTS RESERVED
Specifications are subject to change without notice.
Trademarks are the property of DENTIS Co., Ltd. Or their respective owners.

ScanBody



Highly Accurate Library

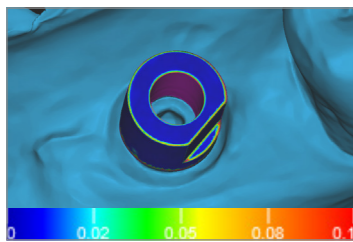
RL

Ergonomic design to minimize interference

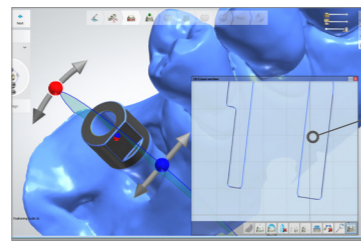
Unibody design reduces scanning error

DENTIS Coating Technology minimizes reflectivity, resulting in a clearer and more usable scan

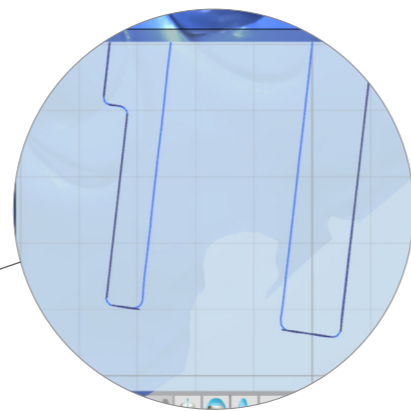
Strong and precise connection made of titanium



The darker blue indicates higher accuracy



Alignment of scan data and abutment library



The scan data matches the library (3shape)

Link Abutment



Anti-rotation design

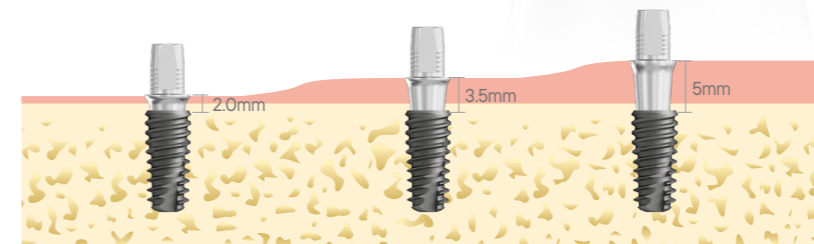
Exclusive library with various cement gaps (50µm, 80µm, 100µm, 140µm)

Designed to improve cement bonding

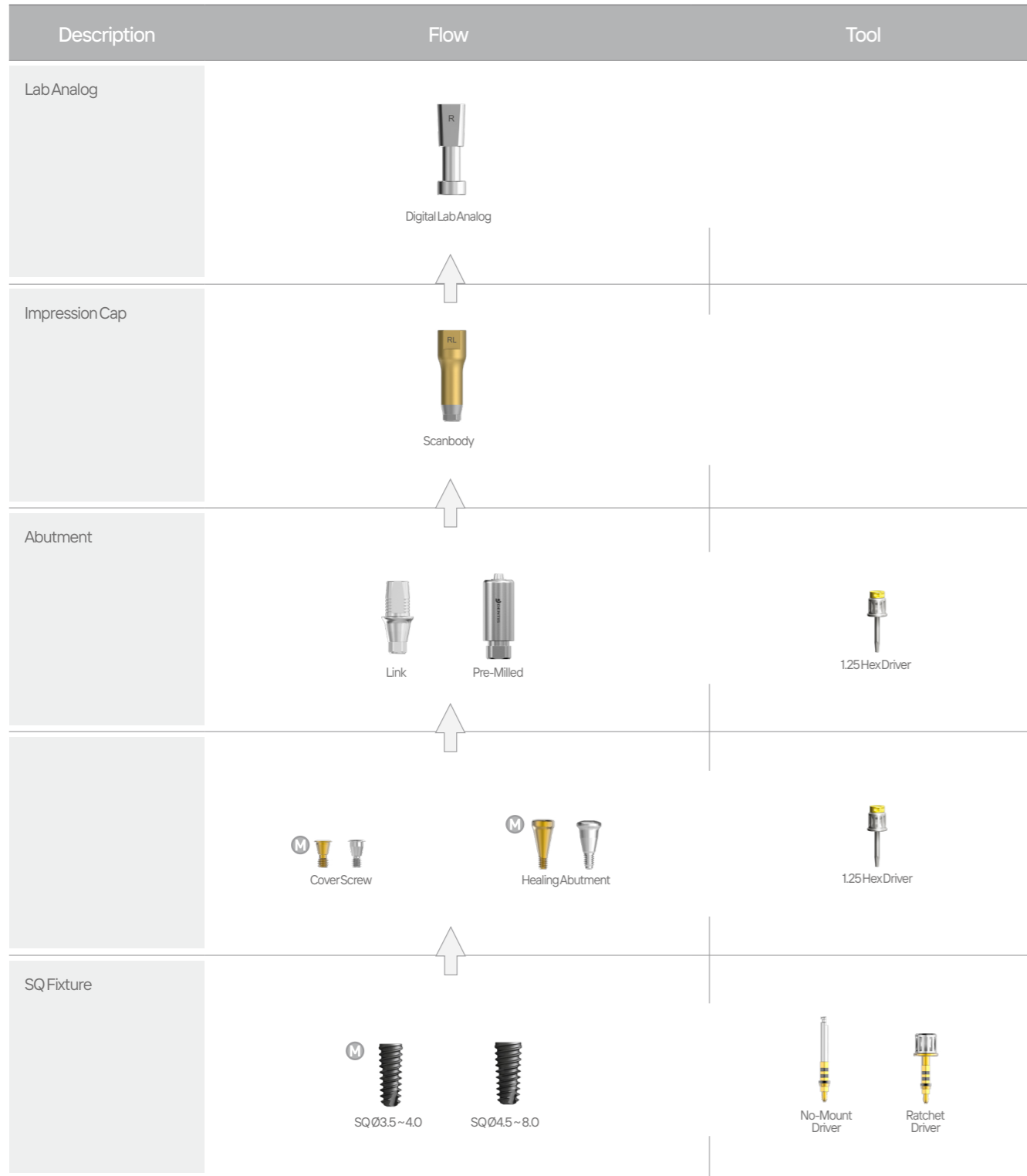
S-Line Design provides a natural and functional emergence profile

Connect with Narrow / Mini / Regular Dentis S-Clean

Link Abutments can be used for various clinical cases according to the gingival height, tissue thickness and depth of fixture



Diagrams for Digital System



ScanBody



Submerged Narrow

Diameter	Length	Type	Code No.
Ø4.0	8mm	Narrow Short	DSSBNSS
	12mm	Narrow Long	DSSBNLS
	16mm	Narrow Extra Long	DSSBNELS

Screw: DSSBSS



Mini

Diameter	Length	Type	Code No.
Ø3.8	8mm	Mini Short	DSSBMSS
	12mm	Mini Long	DSSBMLS
	16mm	Mini Extra Long	DSSBMELS

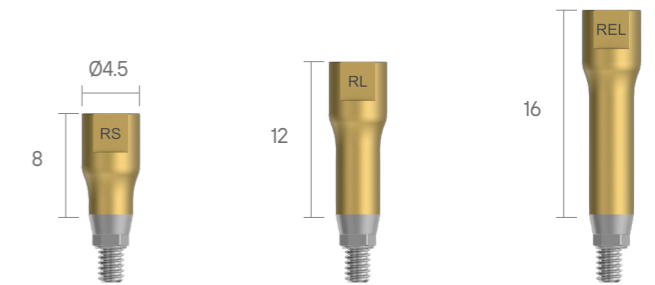
Screw: DSSBSM



Regular

Diameter	Length	Type	Code No.
Ø4.5	8mm	Regular Short	DSSBRSS
	12mm	Regular Long	DSSBRLS
	16mm	Regular Extra Long	DSSBRELS

Screw: DSSBS



Pre-Milled Abutment

Submerge A-TYPE(Arum)

Narrow

Abutment Diameter	Hex	Code No.
Ø10	Double Hex	DSCBAN10HS
	Non-Hex	DSCBAN10NS

Screw Code: DSASS

Mini

Abutment Diameter	Hex	Code No.
Ø10	Hex 2.1	DSCBAM10HS
	Non-Hex	DSCBAM10NS

Screw Code: 2DSASM

Regular

Abutment Diameter	Hex	Code No.
Ø10	Hex	DSCBA10HS
	Non-Hex	DSCBA10NS
Ø14	Hex	DSCBA14HS
	Non-Hex	DSCBA14NS

Screw Code: DSAS

Internal A-TYPE(Arum)

Regular

Abutment Diameter	Hex	Code No.
Ø10	Octa 3.1	DICBA10S
Ø14		DICBA14S
Ø10	Non-Octa	DICBA10NS
Ø14		DICBA14NS

Screw Code: DEAS

Wide

Abutment Diameter	Hex	Code No.
Ø10	Octa 3.1	DICBAW10S
Ø14		DICBAW14S
Ø10	Non-Octa	DICBAW10NS
Ø14		DICBAW14NS

Screw Code: DEAS



Submerge M-TYPE(Manix)

Narrow

Abutment Diameter	Hex	Code No.
Ø10	Double Hex	DSCBMN10HS
	Non-Hex	DSCBMN10NS

Mini

Abutment Diameter	Hex	Code No.
Ø10	Hex 2.1	DSCBMM10HS
	Non-Hex	DSCBMM10NS

Regular

Abutment Diameter	Hex	Code No.
Ø10	Hex	DSCBM10HS
	Non-Hex	DSCBM10NS
Ø14	Hex	DSCBM14HS
	Non-Hex	DSCBM14NS

Internal M-TYPE(Manix)

Regular

Abutment Diameter	Hex	Code No.
Ø10	Octa 3.1	DICBM10S
Ø14		DICBM14S
Ø10	Non-Octa	DICBM10NS
Ø14		DICBM14NS

Wide

Abutment Diameter	Hex	Code No.
Ø10	Octa 3.1	DICBMW10S
Ø14		DICBMW14S
Ø10	Non-Octa	DICBMW10NS
Ø14		DICBMW14NS



Link Abutment



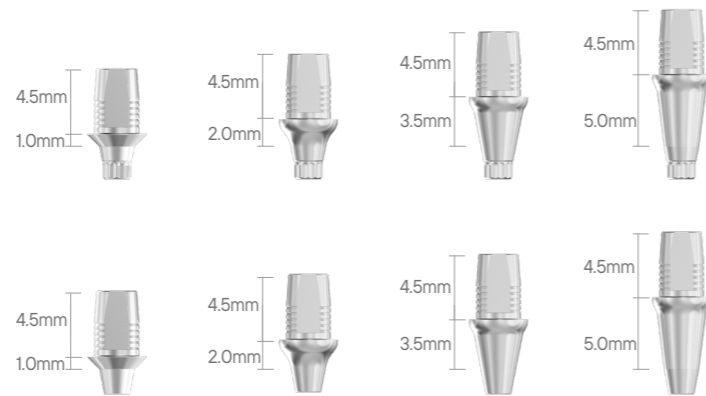
Link Abutments are used when making Zirconia custom abutments with CAD/CAM equipment

Recommended Torque: 20Ncm (Narrow), 30Ncm (Mini, Regular)

Narrow

Abutment Diameter	Hex	G/H	Code No.
Ø 4.0	HEX	1	DSLAN401045HS
		2	DSLAN402045HS
		3.5	DSLAN403545HS
		5.0	DSLAN405045HS
	N-HEX	1	DSLAN401045NS
		2	DSLAN402045NS
	3.5	DSLAN403545NS	
	5.0	DSLAN405045NS	

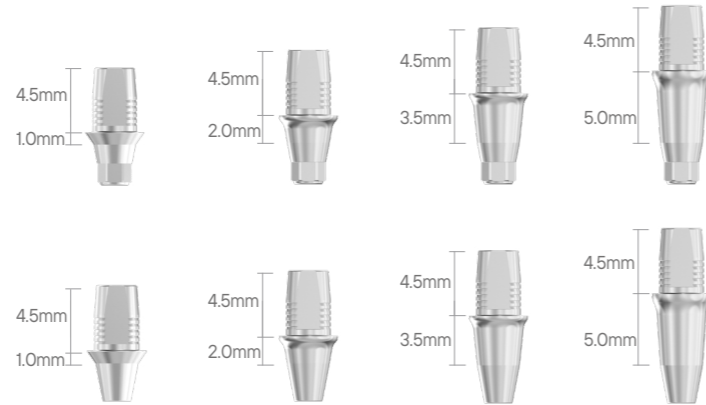
Screw Code : DSASS



Mini

Abutment Diameter	Hex	G/H	Code No.
Ø 4.0	HEX	1	DSLAM401045HS
		2	DSLAM402045HS
		3.5	DSLAM403545HS
		5.0	DSLAM405045HS
	N-HEX	1	DSLAM401045NS
		2	DSLAM402045NS
	3.5	DSLAM403545NS	
	5.0	DSLAM405045NS	

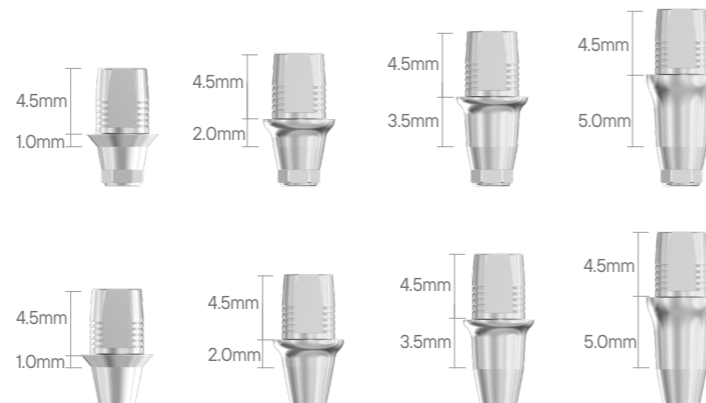
Screw Code : 2DSASM



Regular

Abutment Diameter	Hex	G/H	Code No.
Ø 4.8	HEX	1	DSLAR481045HS
		2	DSLAR482045HS
		3.5	DSLAR483545HS
		5.0	DSLAR485045HS
	N-HEX	1	DSLAR481045NS
		2	DSLAR482045NS
	3.5	DSLAR483545NS	
	5.0	DSLAR485045NS	

Screw Code : 2DSAS

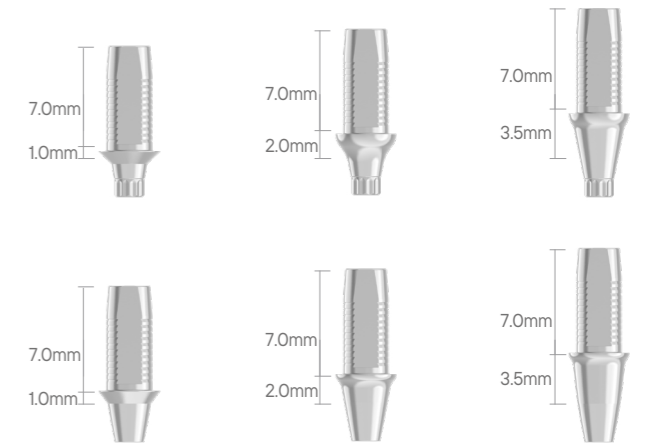


Narrow

Abutment Diameter	Hex	G/H	Code No.
Ø 4.0	HEX	1	DSLAN40107HS
		2	DSLAN40207HS
		3.5	DSLAN40357HS
	N-HEX	1	DSLAN40107NS
	2	DSLAN40207NS	
	3.5	DSLAN40357NS	

Screw Code : DSASS

Post Height 7mm

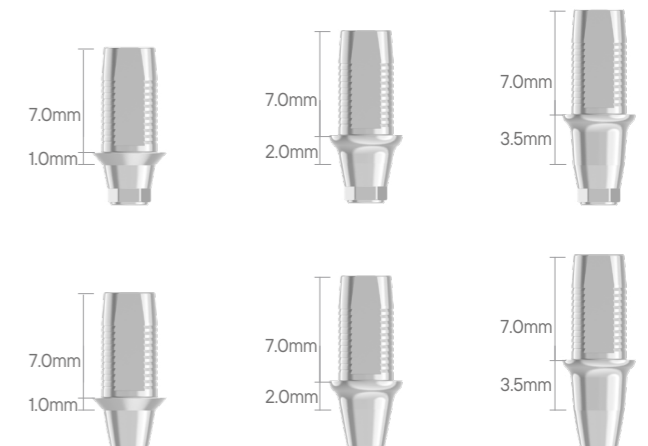


Regular

Abutment Diameter	Hex	G/H	Code No.
Ø 4.8	HEX	1	DSLAR48107HS
		2	DSLAR48207HS
		3.5	DSLAR48357HS
	N-HEX	1	DSLAR48107NS
		2	DSLAR48207NS
		3.5	DSLAR48357NS

Screw Code : 2DSAS

Post Height 7mm



Digital Analog

Digital Lab Analogs are used for making models with a 3D printer

Type	Code No.
Narrow	DSDLANS
Mini	DSDLAMS
Regular	DSDLARS



Tighten screw from the bottom

