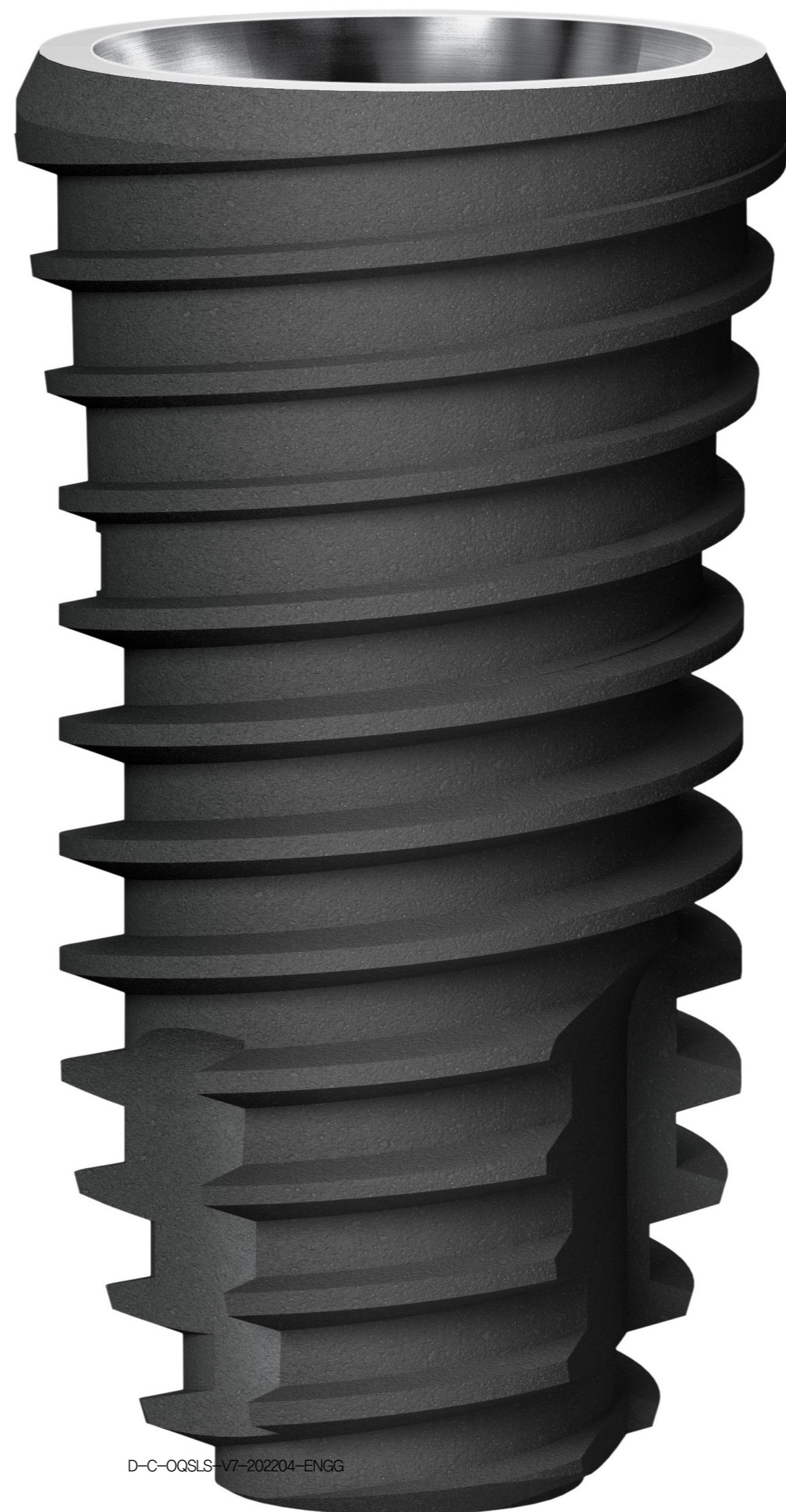


www.dentisimplant.co.kr/eng/

One System for All
Implant Indications

OneQ-SL



Tel. +82-1899-2804 | Fax. +82-53-583-2806
99, Seongseoseo-Ro, Dalseo-Gu, Daegu, Korea



Tel. +1-323-677-4363 | Fax. +1-323-677-4366
6 Centerpointe Drive, Suite 600 La Palma CA 90623



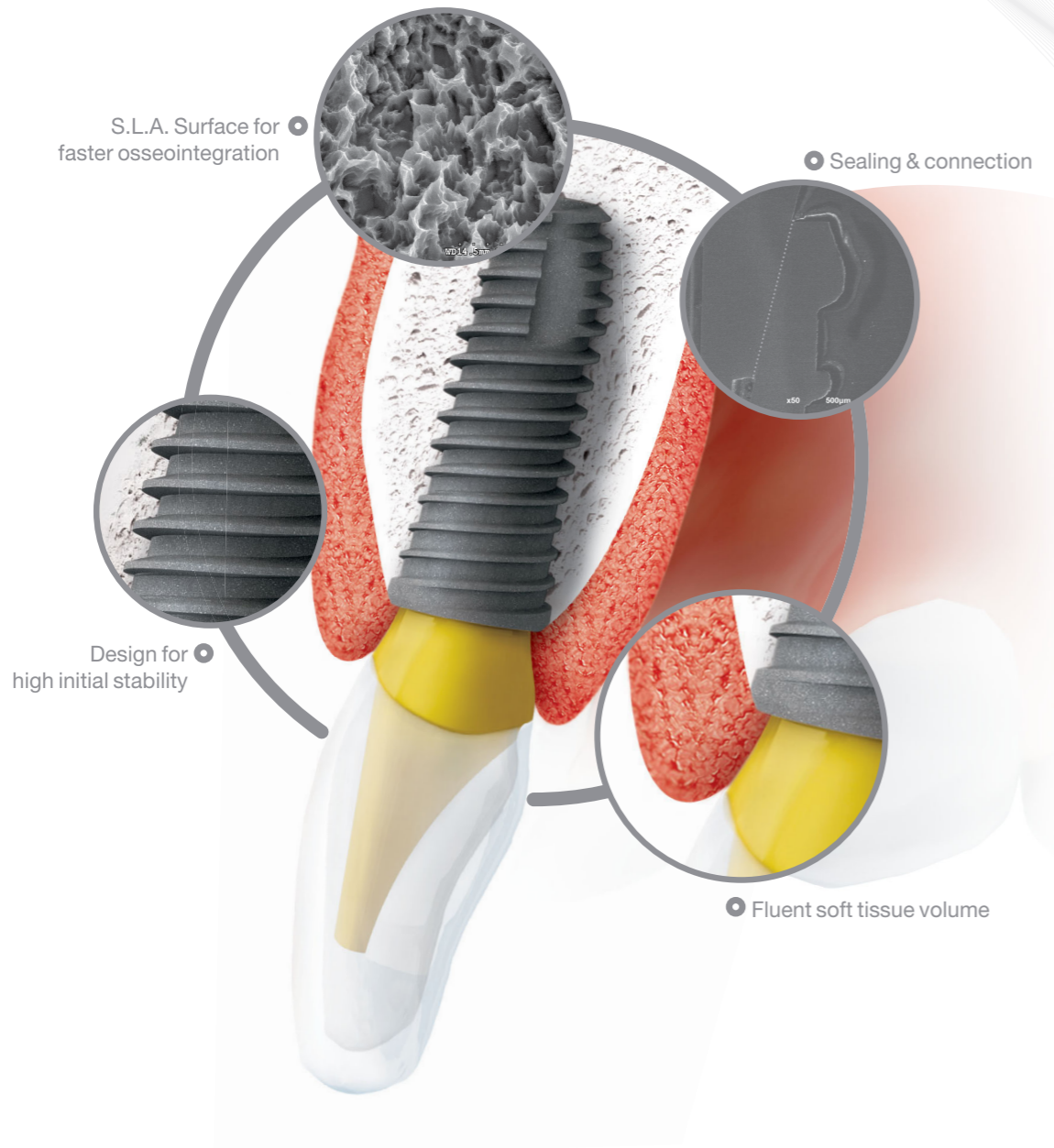
Tel. +021-5111-3828 | Fax. +021-5111-3828
上海市长宁区中山西路933号2205室



Content

Content	2
OneQ-SL implant System for all indications	4
OneQ-SL Narrow(size Ø3.0, Ø3.3)	6
OneQ-SL Regular(size Ø3.9, Ø4.2, Ø4.7, Ø5.2)	8
OneQ-SL Wide(size Ø6.0, Ø7.0, Ø8.0)	10
OneQ-SL Fixture Line-Up	12
Cover Screw & Healing Abutment	15
Prosthetic Flow Diagrams for OneQ Sole System	18
Prosthetic Flow Diagrams for OneQ Couple System	24
Prosthetic Flow Diagrams for OneQ Sub Octa System	40
Multi-Unit Abutment	42
Prosthetic Flow Diagrams for MU Abutment System	43
Prosthetic Flow Diagrams for OneQ Overdenture System	48
Diagrams for Digital System	52
Simple Implant System	58
OneQ Drilling Manual	60
Drilling & Fixture Placement Concept	61
Surgical Kit Instruction	64
OneQ-SL Premium Surgical Kit	65
OneQ-SL Advanced Surgical Kit	66

OneQ-SL implant System for all indications

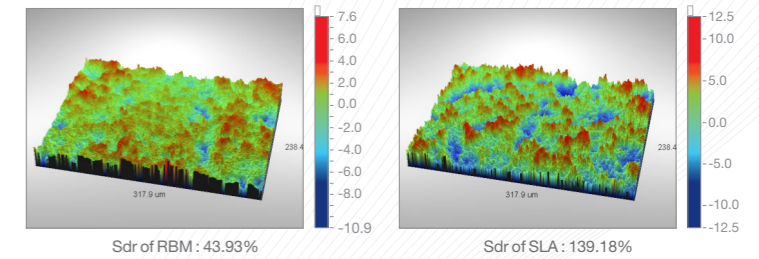
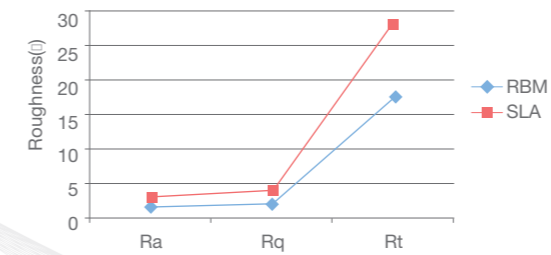


Design for high initial stability

- Double tapered design implant body (Regular & Wide)
- Straight body & tapered head design may allow easier depth control and stable & proper primary fixation
- Cutting groove boosts self tapping ability and enable to smaller osteotomy which may helps to get earlier stability

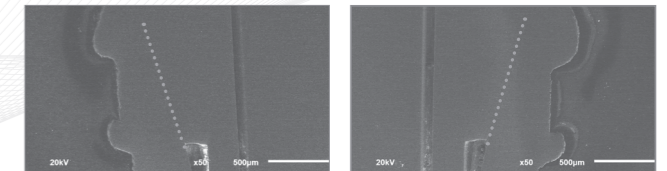
S.L.A. Surface for faster osseointegration

- 200% enhanced surface area compare to RBM surface
- Effective & Excellent Osseo-integration
- Lowest level of Residues



Sealing & connection

- 11 degree tapered Internal connection with Hexagonal locking prevent micro-gap and micro move



Fluent soft tissue volume

- Built in platform switching improve soft tissue interface for nature like aesthetic.

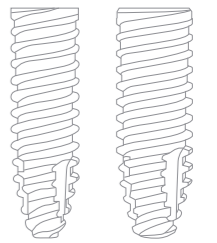
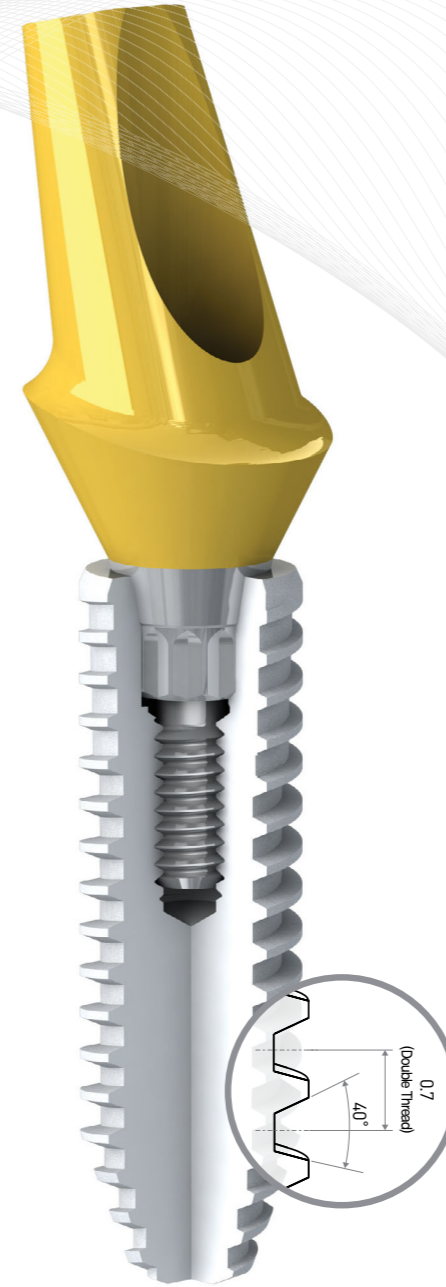
Abundant variation covers all indication

Class	Narrow	Regular	Wide
Diameter	Ø3.0/3.3	Ø3.9/4.2/4.7/5.2	Ø6.0/7.0/8.0
Length	8/10/12/14	7/8/10/12/14	6/7/8/10/12
Connection	Double Hex	Hex	
Body	Straight	Tapered + Straight	
Thread	Double lead Thread		Single lead Thread

One surgical KIT system with simple sequence

OneQ-SL Narrow

size Ø3.0, Ø3.3



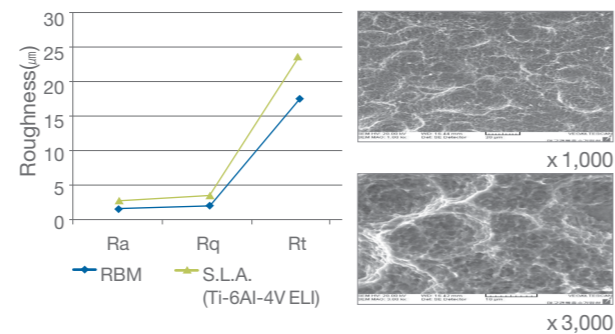
Design for Narrow Interdental Space

- Narrow straight body may allow easier depth control & less interferences with adjacent teeth.



S.L.A. Surface

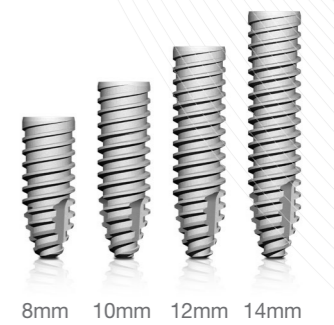
- 177% enhanced surface area than RBM (Ra 1.59 μ m) surface
- Effective & faster Osseointegration



Narrow Type

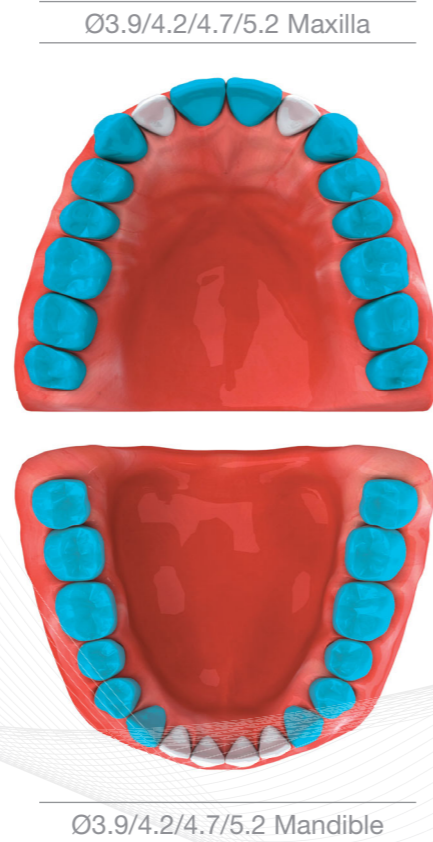
OneQ-SL Narrow is a uniquely designed implant with an especially narrow straight body and 3.0mm and 3.3mm prosthetic platform diameter.

3.0mm and 3.3mm platform have proven to have a very high fatigue strength and best comparative results, what makes it the most successful and leading narrow platform implant.



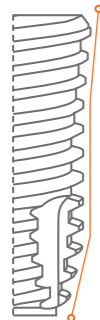
OneQ-SL Regular

size Ø3.9, Ø4.2, Ø4.7, Ø5.2



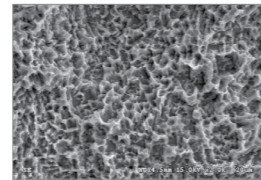
Design for All Indication

- Double tapered body
- Straight body may allow easier depth control
- Tapered head condenses bone and helps to get improved primary fixation even in compromised bone.

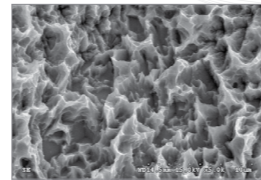


S.L.A. Surface

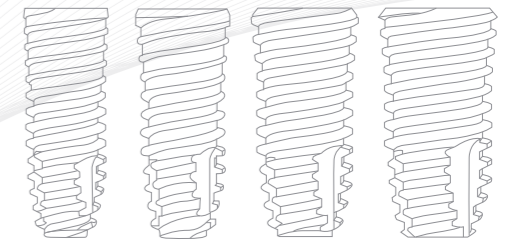
- 200% enhanced surface area than RBM surface
- Effective & Excellent Osseointegration
- Lowest level of Residues



x 2,000



x 5,000



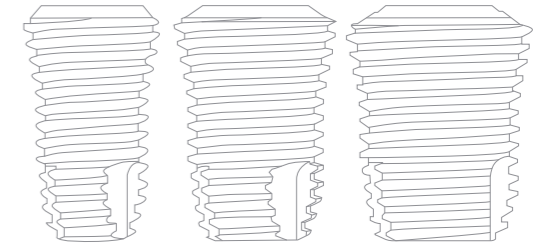
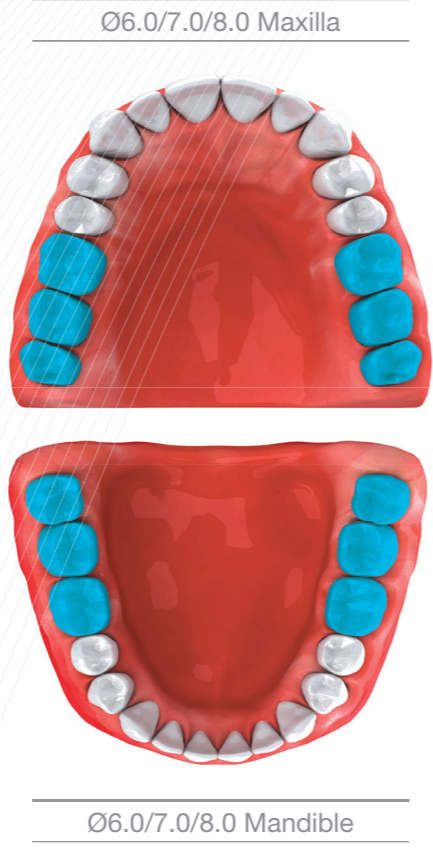
Regular Type

OneQ-SL Regular is the most common sizes of the implant, designed to enable easy insertion with double tapered body design while supporting excellent initial stability. The variable thread design & cutting edge enables self-tapping, thus providing superb solutions for a variety of bone conditions.



OneQ-SL Wide

size Ø6.0, Ø7.0, Ø8.0



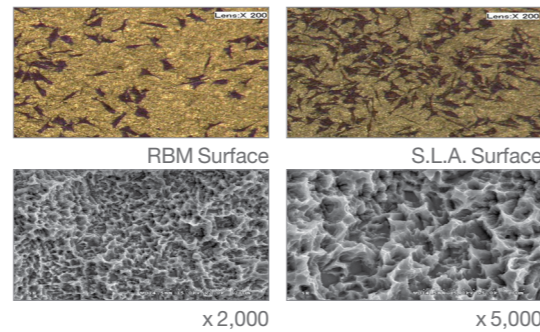
Designed for Less Stress and Stability

- Double tapered design condenses bone
- Single Lead thread design reduces bone stress
- Apex with cutting groove boosts self tapping ability and enable to smaller osteotomy which may helps to get earlier stability



S.L.A. Surface

- Cell adhesion and differentiation of Human Osteoblast MG63 on SLA surface is 20% superior than RBM



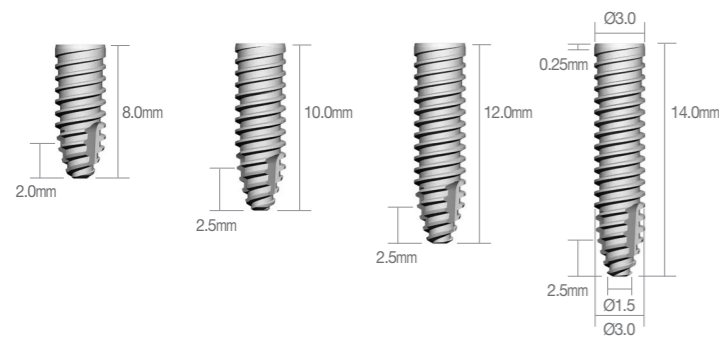
Wide Type

OneQ-SL Wide improves significantly the possibilities of treatments by covering more various sizes of clinical cases. This would be useful in wide socket after extraction of a posterior tooth or even failed implant.



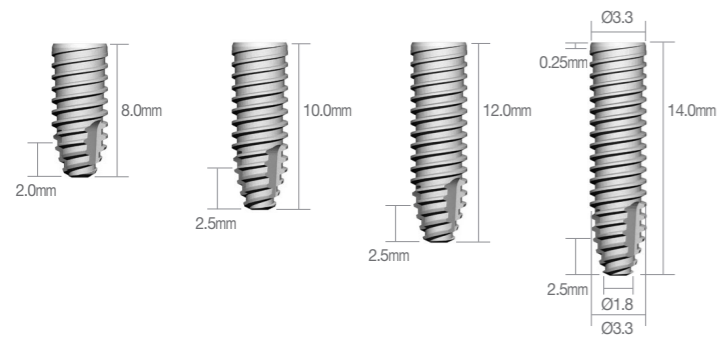
OneQ-SL Fixture Line-Up

Narrow Line Material: Ti-6Al-4V ELI



Narrow		
Fixture Diameter	Length	Code No.
Ø3.0	8.0mm	DSSOFS3008S
	10.0mm	DSSOFS3010S
	12.0mm	DSSOFS3012S
	14.0mm	DSSOFS3014S

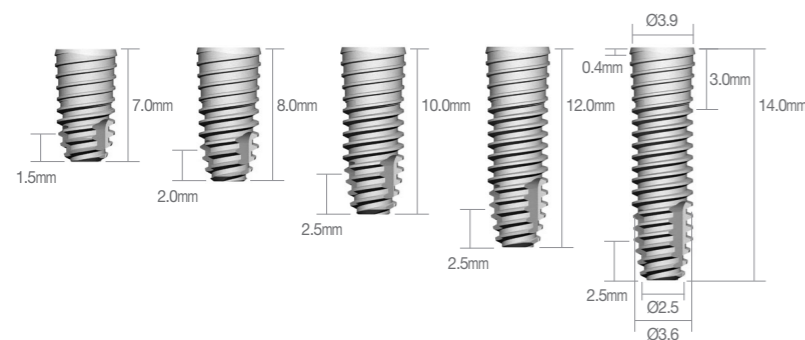
※ Set Code(S) : Fixture + Cover Screw[Dsofcs]



Narrow		
Fixture Diameter	Length	Code No.
Ø3.3	8.0mm	DSSOFS3308S
	10.0mm	DSSOFS3310S
	12.0mm	DSSOFS3312S
	14.0mm	DSSOFS3314S

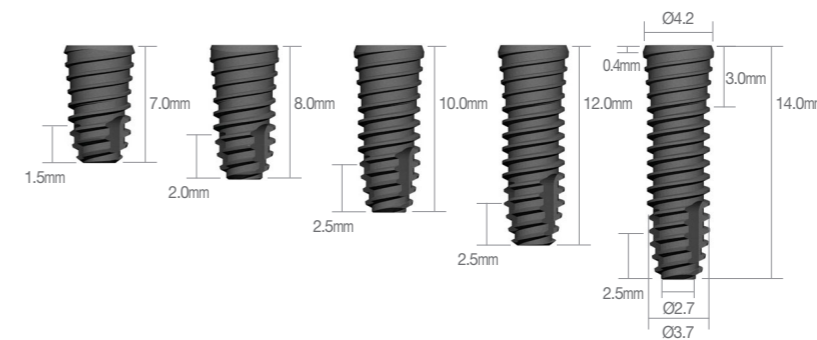
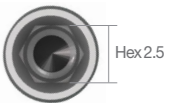
※ Set Code(S) : Fixture + Cover Screw[Dsofcs]

Regular Line Material: Ti-6Al-4V ELI



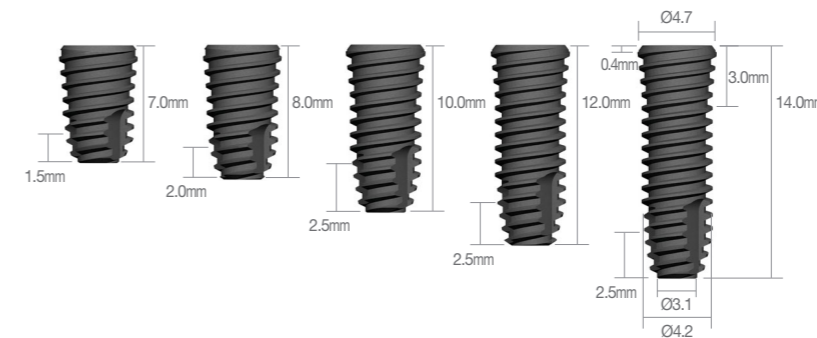
Regular		
Fixture Diameter	Length	Code No.
Ø3.9	7.0mm	DSSOFR3907S
	8.0mm	DSSOFR3908S
	10.0mm	DSSOFR3910S
	12.0mm	DSSOFR3912S
	14.0mm	DSSOFR3914S

※ Set Code(S) : Fixture + Cover Screw[Dscsm]



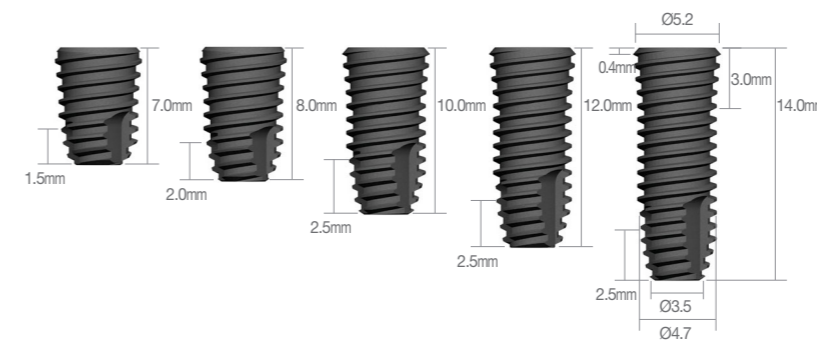
Regular		
Fixture Diameter	Length	Code No.
Ø4.2	7.0mm	DSSOFR4207S
	8.0mm	DSSOFR4208S
	10.0mm	DSSOFR4210S
	12.0mm	DSSOFR4212S
	14.0mm	DSSOFR4214S

※ Set Code(S) : Fixture + Cover Screw[Dscsm]



Regular		
Fixture Diameter	Length	Code No.
Ø4.7	7.0mm	DSSOFR4707S
	8.0mm	DSSOFR4708S
	10.0mm	DSSOFR4710S
	12.0mm	DSSOFR4712S
	14.0mm	DSSOFR4714S

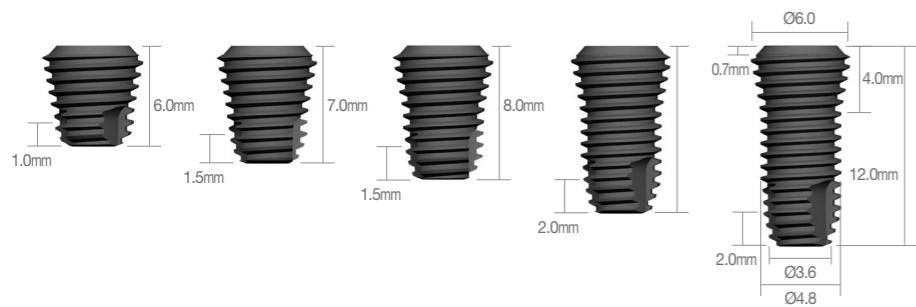
※ Set Code(S) : Fixture + Cover Screw[Dscsm]



Regular		
Fixture Diameter	Length	Code No.
Ø5.2	7.0mm	DSSOFR5207S
	8.0mm	DSSOFR5208S
	10.0mm	DSSOFR5210S
	12.0mm	DSSOFR5212S
	14.0mm	DSSOFR5214S

※ Set Code(S) : Fixture + Cover Screw[Dscsm]

Wide Line Material: Pure-Ti Grade 4



Wide		
Fixture Diameter	Length	Code No.
Ø6.0	6.0mm	DSSOFW6006S
	7.0mm	DSSOFW6007S
	8.0mm	DSSOFW6008S
	10.0mm	DSSOFW6010S
	12.0mm	DSSOFW6012S

※ Set Code(S) : Fixture + Cover Screw[DSCSM]



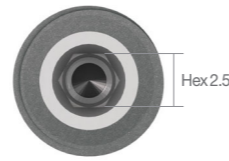
Wide		
Fixture Diameter	Length	Code No.
Ø7.0	6.0mm	DSSOFW7006S
	7.0mm	DSSOFW7007S
	8.0mm	DSSOFW7008S
	10.0mm	DSSOFW7010S
	12.0mm	DSSOFW7012S

※ Set Code(S) : Fixture + Cover Screw[DSCSM]



Wide		
Fixture Diameter	Length	Code No.
Ø8.0	6.0mm	DSSOFW8006S
	7.0mm	DSSOFW8007S
	8.0mm	DSSOFW8008S
	10.0mm	DSSOFW8010S
	12.0mm	DSSOFW8012S

※ Set Code(S) : Fixture + Cover Screw[DSCSM]



Cover Screw & Healing Abutment

▶ A/D : Abutment Diameter ▶ P/H : Post Height ▶ G/H : Gingiva Height

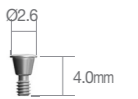
Cover Screw | Narrow Recommended torque - 10Ncm



DSOFCS + DSSOFS3310

Code No.

DSOFCS



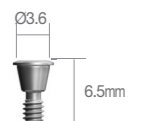
Cover Screw | Regular / Wide



DSCSM + DSSOFR4210

Code No.

DSCSM

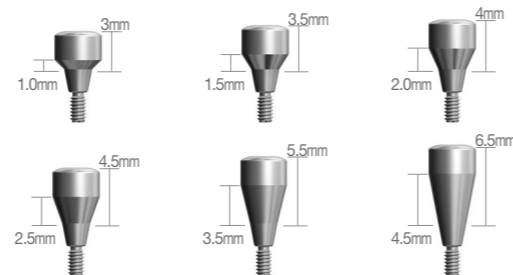


Healing Abutment | Narrow Recommended torque - 10Ncm

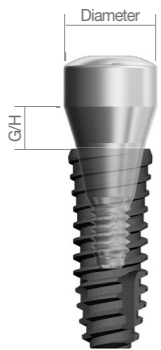


DSHS4015 + DSSOFS3310

Abutment Diameter	G/H	Code No.
Ø4.0	1.0mm	DSHS4010
	1.5mm	DSHS4015
	2.0mm	DSHS4020
	2.5mm	DSHS4025
	3.5mm	DSHS4035
	4.5mm	DSHS4045

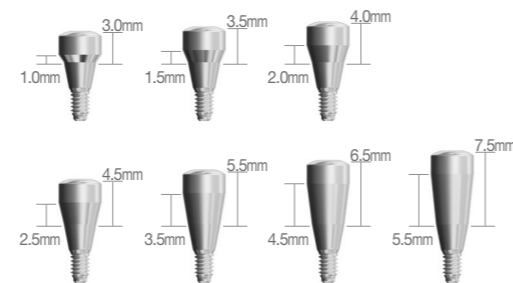


Healing Abutment | Regular / Wide

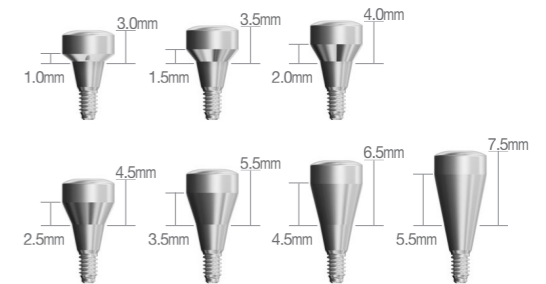


DSH4520 + DSSOFR4210

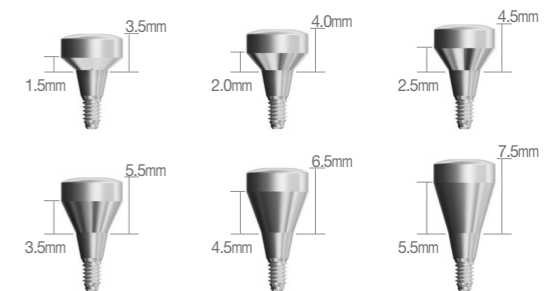
Abutment Diameter	G/H	Code No.
Ø4.5	1.0mm	DSH4510
	1.5mm	DSH4515
	2.0mm	DSH4520
	2.5mm	DSH4525
	3.5mm	DSH4535
	4.5mm	DSH4545
	5.5mm	DSH4555



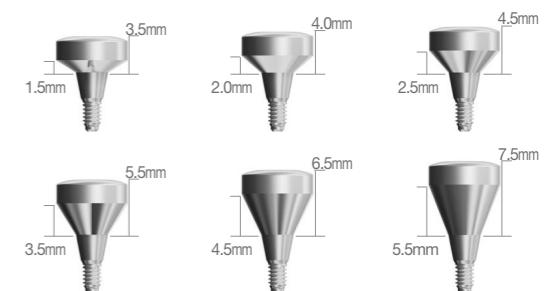
Abutment Diameter	G/H	Code No.
Ø5.5	1.0mm	DSH5510
	1.5mm	DSH5515
	2.0mm	DSH5520
	2.5mm	DSH5525
	3.5mm	DSH5535
	5.5mm	DSH5555



Abutment Diameter	G/H	Code No.
Ø6.5	1.5mm	DSH6515
	2.0mm	DSH6520
	2.5mm	DSH6525
	3.5mm	DSH6535
	4.5mm	DSH6545
	5.5mm	DSH6555



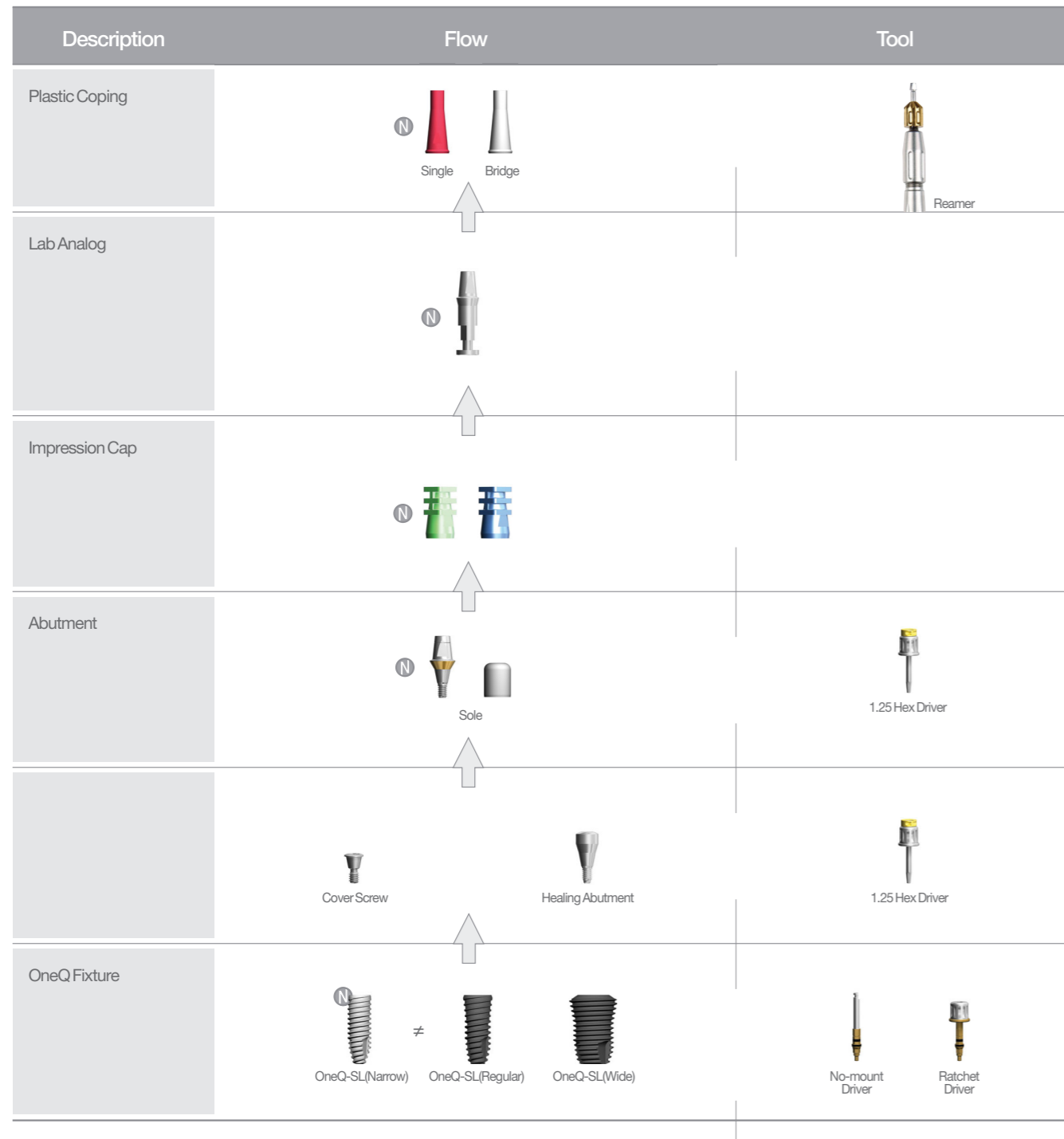
Abutment Diameter	G/H	Code No.
Ø7.5	1.5mm	DSH7515
	2.0mm	DSH7520
	2.5mm	DSH7525
	3.5mm	DSH7535
	4.5mm	DSH7545
	5.5mm	DSH7555



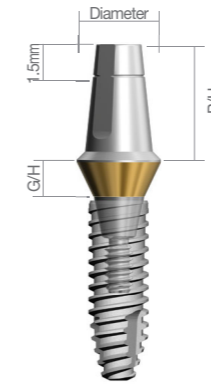
Prosthetic Flow Diagrams for OneQ Sole System

Abutment Level Impression / Cemented Restoration

N Narrow Type



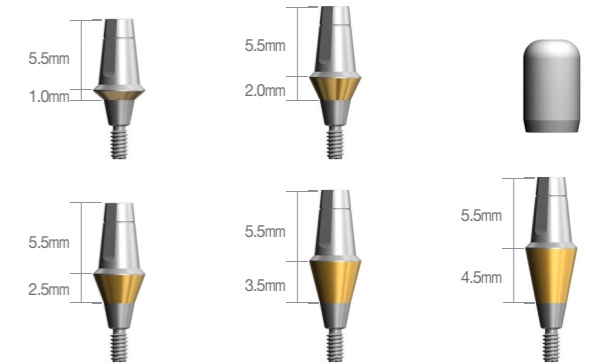
Sole Abutment | Narrow Recommended torque - Narrow size : 20Ncm / Regular, wide size : 30Ncm



DSSAS40205TS + DSSOFS3310

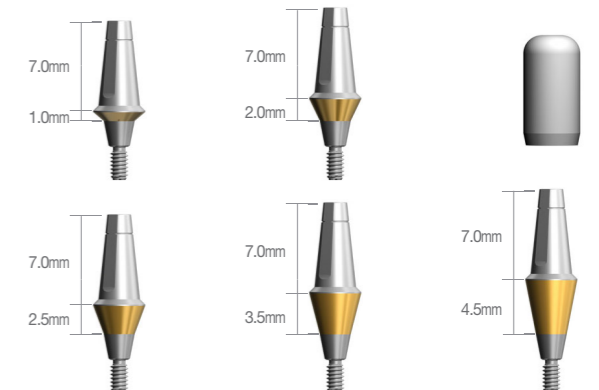
Abutment Diameter	G/H	P/H	Code No.
Ø4.0	1.0mm	5.5mm	DSSAS40105TS
	2.0mm		DSSAS40205TS
	2.5mm		DSSAS40255TS
	3.5mm		DSSAS40355TS
	4.5mm		DSSAS40455TS

※ Set Code(S) : Abutment + Healing Cap[DSSASHC405]

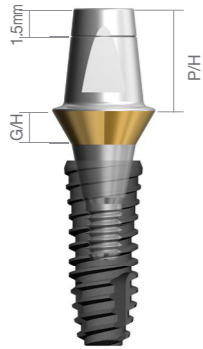


Abutment Diameter	G/H	P/H	Code No.
Ø4.0	1.0mm	7.0mm	DSSAS40107TS
	2.0mm		DSSAS40207TS
	2.5mm		DSSAS40257TS
	3.5mm		DSSAS40357TS
	4.5mm		DSSAS40457TS

※ Set Code(S) : Abutment + Healing Cap[DSSASHC407]



Sole Abutment | Regular / Wide



DSSA5520PCTS + DSSOFR4210

Abutment Diameter	G/H	P/H	Code No.
Ø4.5	1.0mm	5.5mm	DSSA4510PCTS
	1.5mm		DSSA4515PCTS
	2.0mm		DSSA4520PCTS
	2.5mm		DSSA4525PCTS
	3.5mm		DSSA4535PCTS
	4.5mm		DSSA4545PCTS
	5.5mm		DSSA4555PCTS

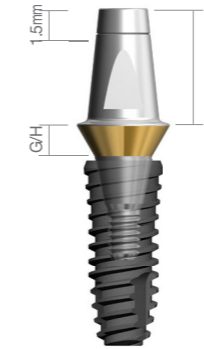
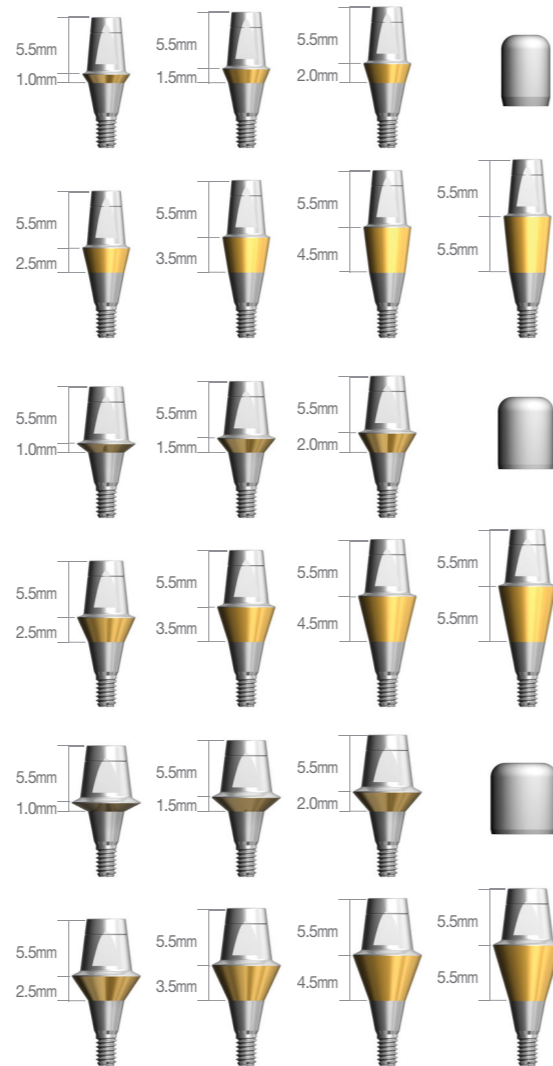
※ Set Code(S) : Abutment + Healing Cap[DSHC455]

Abutment Diameter	G/H	P/H	Code No.
Ø5.5	1.0mm	5.5mm	DSSA5510PCTS
	1.5mm		DSSA5515PCTS
	2.0mm		DSSA5520PCTS
	2.5mm		DSSA5525PCTS
	3.5mm		DSSA5535PCTS
	4.5mm		DSSA5545PCTS
	5.5mm		DSSA5555PCTS

※ Set Code(S) : Abutment + Healing Cap[DSHC555]

Abutment Diameter	G/H	P/H	Code No.
Ø6.5	1.0mm	5.5mm	DSSA6510PCTS
	1.5mm		DSSA6515PCTS
	2.0mm		DSSA6520PCTS
	2.5mm		DSSA6525PCTS
	3.5mm		DSSA6535PCTS
	4.5mm		DSSA6545PCTS
	5.5mm		DSSA6555PCTS

※ Set Code(S) : Abutment + Healing Cap[DSHC655]



DSSA55207PCTS + DSSOFR4210

Abutment Diameter	G/H	P/H	Code No.
Ø4.5	1.0mm	7.0mm	DSSA45107PCTS
	1.5mm		DSSA45157PCTS
	2.0mm		DSSA45207PCTS
	2.5mm		DSSA45257PCTS
	3.5mm		DSSA45357PCTS
	4.5mm		DSSA45457PCTS
	5.5mm		DSSA45557PCTS

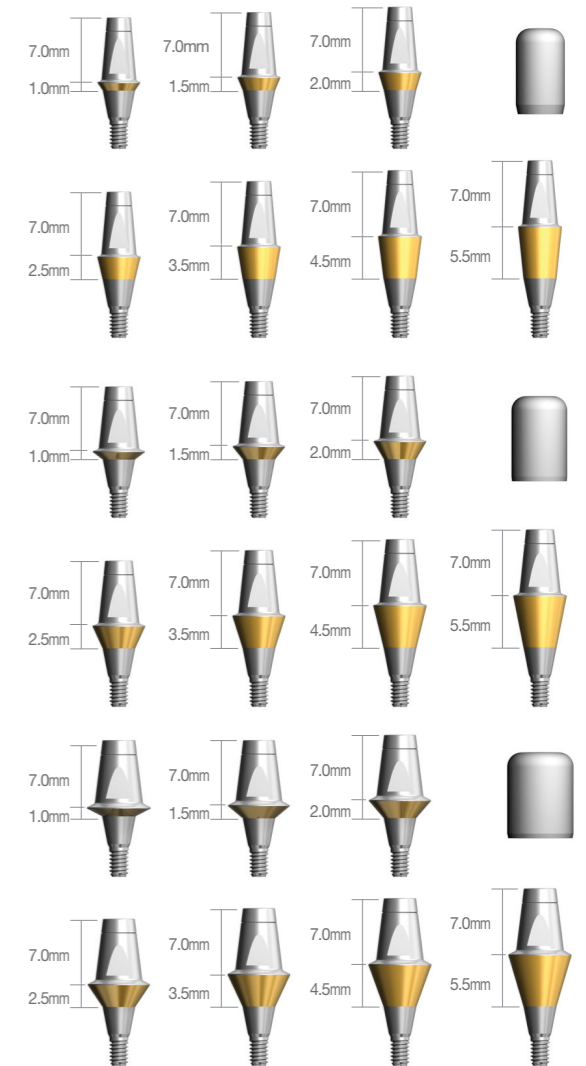
※ Set Code(S) : Abutment + Healing Cap[DSHC457]

Abutment Diameter	G/H	P/H	Code No.
Ø5.5	1.0mm	7.0mm	DSSA55107PCTS
	1.5mm		DSSA55157PCTS
	2.0mm		DSSA55207PCTS
	2.5mm		DSSA55257PCTS
	3.5mm		DSSA55357PCTS
	4.5mm		DSSA55457PCTS
	5.5mm		DSSA55557PCTS

※ Set Code(S) : Abutment + Healing Cap[DSHC557]

Abutment Diameter	G/H	P/H	Code No.
Ø6.5	1.0mm	7.0mm	DSSA65107PCTS
	1.5mm		DSSA65157PCTS
	2.0mm		DSSA65207PCTS
	2.5mm		DSSA65257PCTS
	3.5mm		DSSA65357PCTS
	4.5mm		DSSA65457PCTS
	5.5mm		DSSA65557PCTS

※ Set Code(S) : Abutment + Healing Cap[DSHC657]



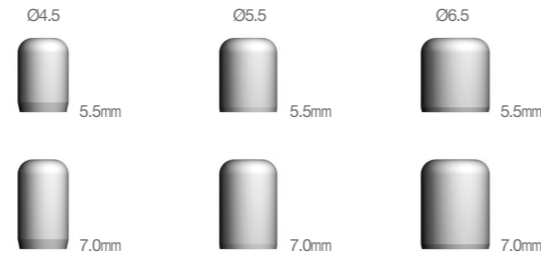
Sole Abutment Healing Cap | Narrow

Abutment Diameter	P/H	Code No.
Ø4.0	5.5mm 7.0mm	DSSASHC405 DSSASHC407



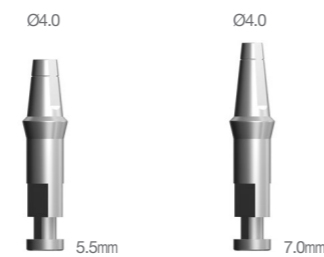
Sole Healing Cap | Regular / Wide

Abutment Diameter	P/H	Code No.
Ø4.5	5.5mm 7.0mm	DSHC455 DSHC457
Ø5.5	5.5mm 7.0mm	DSHC555 DSHC557
Ø6.5	5.5mm 7.0mm	DSHC655 DSHC657



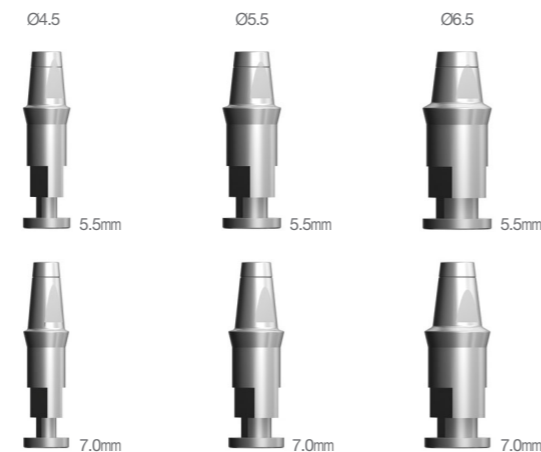
Lab Analog | Narrow

Abutment Diameter	P/H	Code No.
Ø4.0	5.5mm 7.0mm	DSSLAS405 DSSLAS407



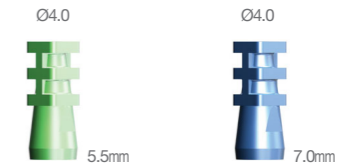
Lab Analog | Regular / Wide

Abutment Diameter	P/H	Code No.
Ø4.5	5.5mm 7.0mm	DSSLA45 DSSLA457
Ø5.5	5.5mm 7.0mm	DSSLA55 DSSLA557
Ø6.5	5.5mm 7.0mm	DSSLA65 DSSLA657



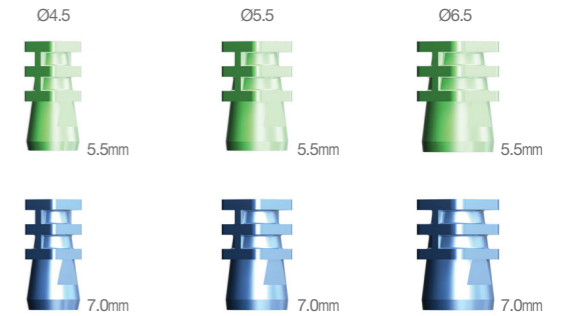
Impression Positioning Cylinder | Narrow

Abutment Diameter	P/H	Code No.
Ø4.0	5.5mm 7.0mm	DSIPCS405 DSIPCS407



Impression Positioning Cylinder | Regular / Wide

Abutment Diameter	P/H	Code No.
Ø4.5	5.5mm 7.0mm	DSIPC455 DSIPC457
Ø5.5	5.5mm 7.0mm	DSIPC555 DSIPC557
Ø6.5	5.5mm 7.0mm	DSIPC655 DSIPC657



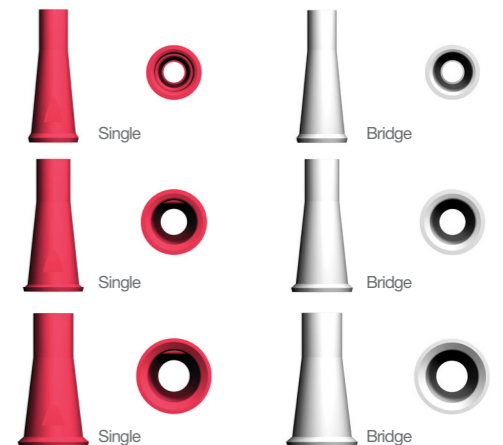
Plastic Coping | Narrow

Abutment Diameter	Type	Code No.
Ø4.0	Single Bridge	DSSASP40S DSSASP40B



Plastic Coping | Regular / Wide

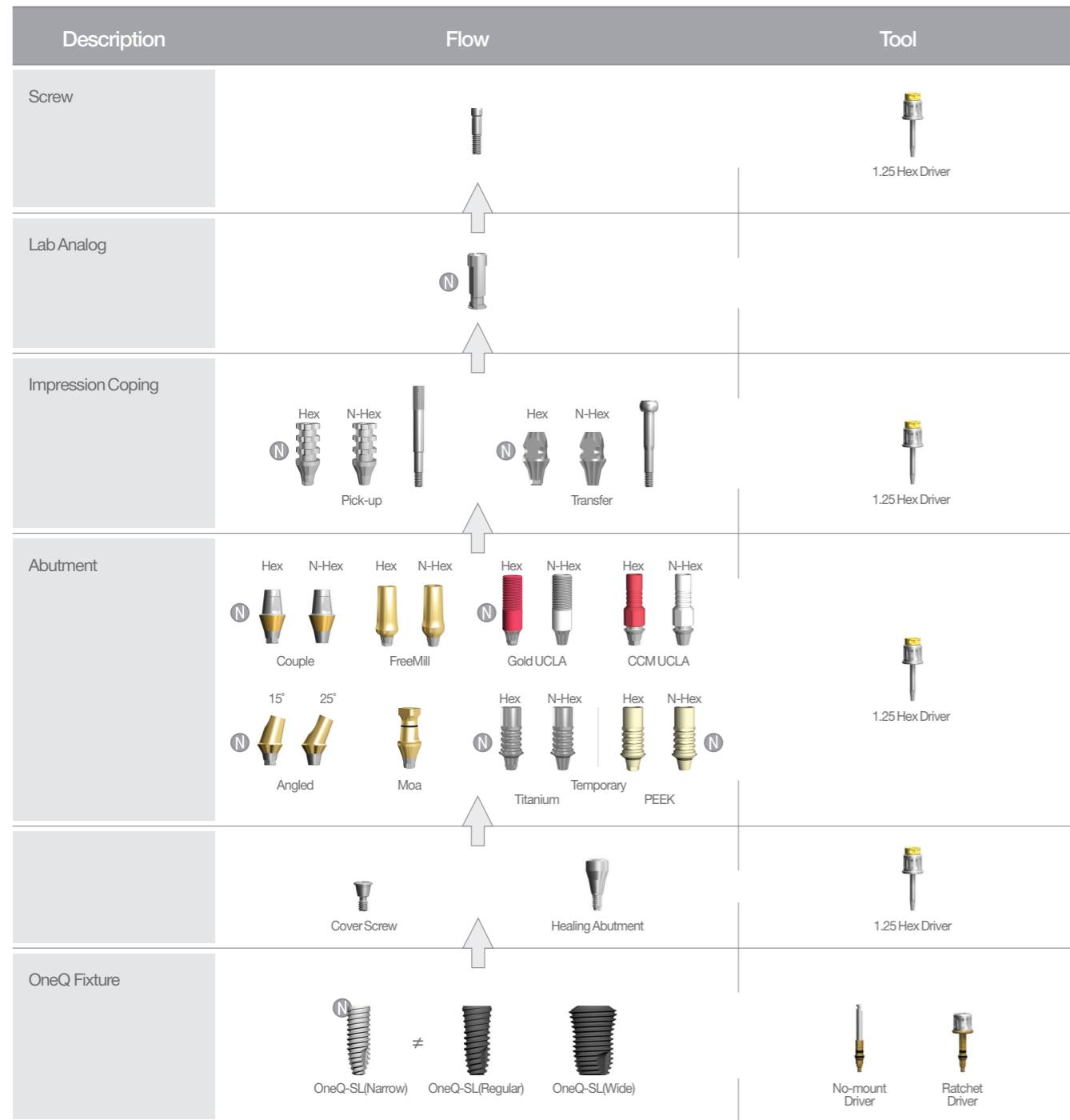
Abutment Diameter	Type	Code No.
Ø4.5	Single Bridge	DSSAP45S DSSAP45B
Ø5.5	Single Bridge	DSSAP55S DSSAP55B
Ø6.5	Single Bridge	DSSAP65S DSSAP65B



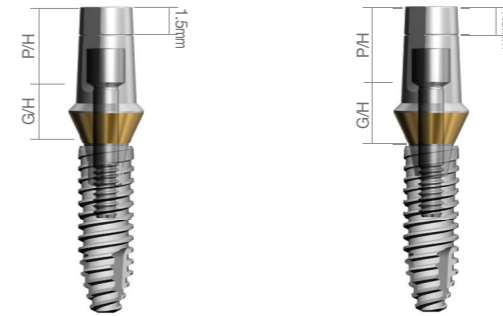
Prosthetic Flow Diagrams for OneQ Couple System

Fixture Level Impression / Cemented Restoration / Screw Restoration

N Narrow Type



Couple Abutment | Narrow [Hex] Recommended torque - Narrow size : 20Ncm / Regular, wide size : 30Ncm



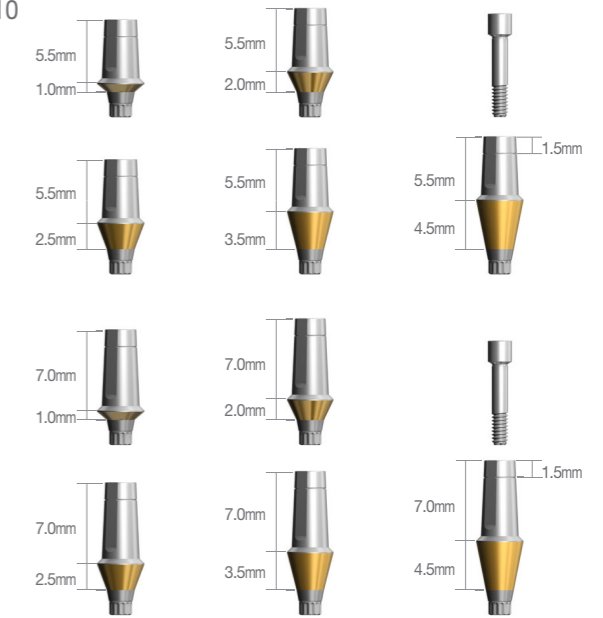
DSCAS40205HTS + DSSOFS3310 DSCAS40205NTS + DSSOFS3310

Abutment Diameter	G/H	P/H	Code No.
Ø4.0	1.0mm	5.5mm	DSCAS40105HTS
	2.0mm		DSCAS40205HTS
	2.5mm		DSCAS40255HTS
	3.5mm		DSCAS40355HTS
	4.5mm		DSCAS40455HTS

※ Set Code(S) : Abutment + Abutment Screw[DSASS]

Abutment Diameter	G/H	P/H	Code No.
Ø4.0	1.0mm	7.0mm	DSCAS40107HTS
	2.0mm		DSCAS40207HTS
	2.5mm		DSCAS40257HTS
	3.5mm		DSCAS40357HTS
	4.5mm		DSCAS40457HTS

※ Set Code(S) : Abutment + Abutment Screw[DSASS]



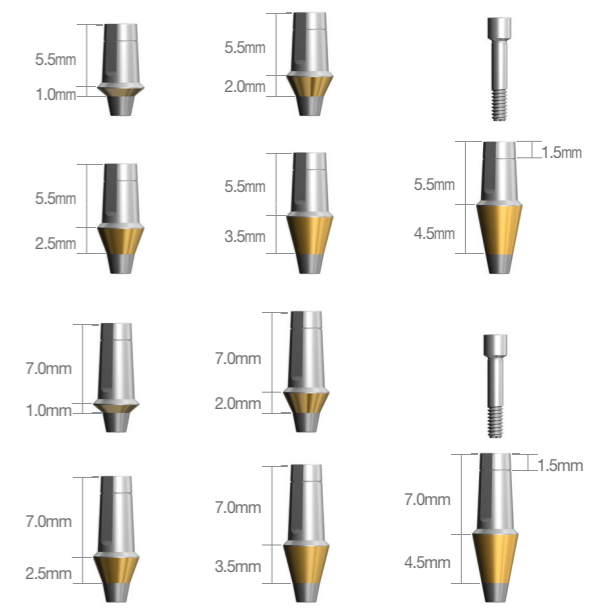
Couple Abutment | Narrow [N-Hex] Recommended torque - Narrow size : 20Ncm / Regular, wide size : 30Ncm

Abutment Diameter	G/H	P/H	Code No.
Ø4.0	1.0mm	5.5mm	DSCAS40105NTS
	2.0mm		DSCAS40205NTS
	2.5mm		DSCAS40255NTS
	3.5mm		DSCAS40355NTS
	4.5mm		DSCAS40455NTS

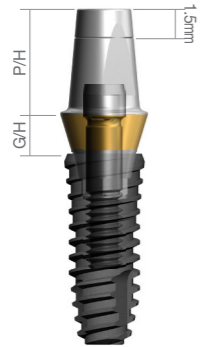
※ Set Code(S) : Abutment + Abutment Screw[DSASS]

Abutment Diameter	G/H	P/H	Code No.
Ø4.0	1.0mm	7.0mm	DSCAS40107NTS
	2.0mm		DSCAS40207NTS
	2.5mm		DSCAS40257NTS
	3.5mm		DSCAS40357NTS
	4.5mm		DSCAS40457NTS

※ Set Code(S) : Abutment + Abutment Screw[DSASS]



Couple Abutment | Regular / Wide [Hex]



DSCA4520HPCTS + DSSOFR4210

Abutment Diameter	G/H	P/H	Code No.
Ø4.5	1.0mm	5.5mm	DSCA4510HPCTS
	1.5mm		DSCA4515HPCTS
	2.0mm		DSCA4520HPCTS
	2.5mm		DSCA4525HPCTS
	3.5mm		DSCA4535HPCTS
	4.5mm		DSCA4545HPCTS
	5.5mm		DSCA4555HPCTS

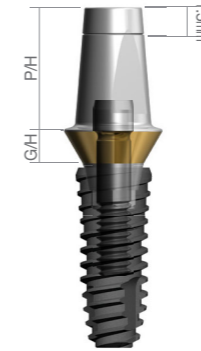
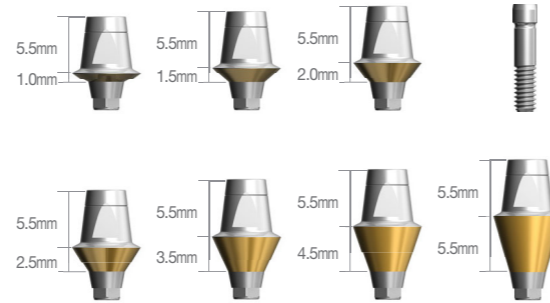
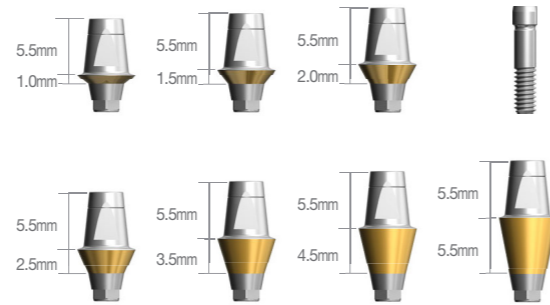
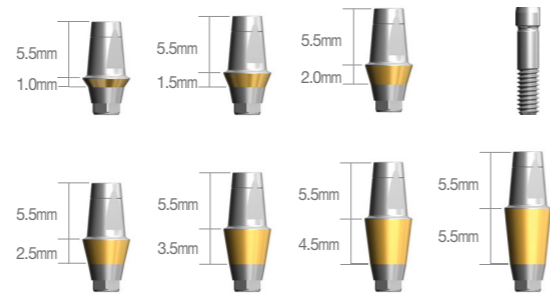
※ Set Code(S) : Abutment + Abutment Screw[DSAS]

Abutment Diameter	G/H	P/H	Code No.
Ø5.5	1.0mm	5.5mm	DSCA5510HPCTS
	1.5mm		DSCA5515HPCTS
	2.0mm		DSCA5520HPCTS
	2.5mm		DSCA5525HPCTS
	3.5mm		DSCA5535HPCTS
	4.5mm		DSCA5545HPCTS
	5.5mm		DSCA5555HPCTS

※ Set Code(S) : Abutment + Abutment Screw[DSAS]

Abutment Diameter	G/H	P/H	Code No.
Ø6.5	1.0mm	5.5mm	DSCA6510HPCTS
	1.5mm		DSCA6515HPCTS
	2.0mm		DSCA6520HPCTS
	2.5mm		DSCA6525HPCTS
	3.5mm		DSCA6535HPCTS
	4.5mm		DSCA6545HPCTS
	5.5mm		DSCA6555HPCTS

※ Set Code(S) : Abutment + Abutment Screw[DSAS]



DSCA5520H7PCTS + DSSOFR4210

Abutment Diameter	G/H	P/H	Code No.
Ø4.5	1.0mm	7mm	DSCA4510H7PCTS
	1.5mm		DSCA4515H7PCTS
	2.0mm		DSCA4520H7PCTS
	2.5mm		DSCA4525H7PCTS
	3.5mm		DSCA4535H7PCTS
	4.5mm		DSCA4545H7PCTS
	5.5mm		DSCA4555H7PCTS

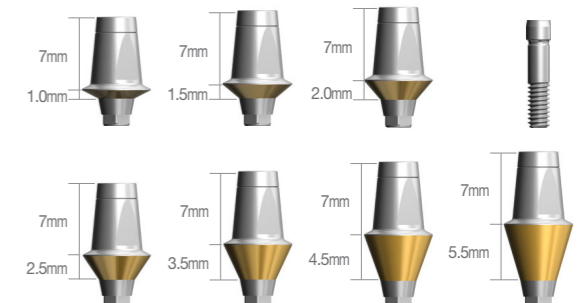
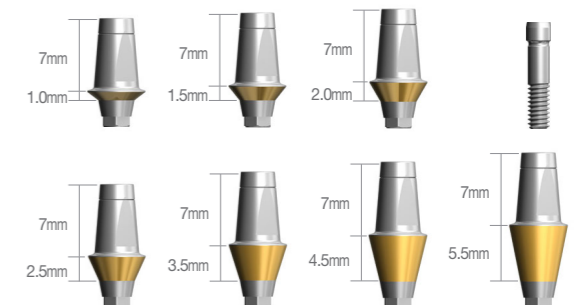
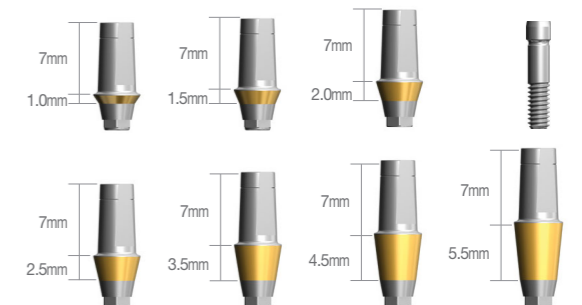
※ Set Code(S) : Abutment + Abutment Screw[DSAS]

Abutment Diameter	G/H	P/H	Code No.
Ø5.5	1.0mm	7mm	DSCA5510H7PCTS
	1.5mm		DSCA5515H7PCTS
	2.0mm		DSCA5520H7PCTS
	2.5mm		DSCA5525H7PCTS
	3.5mm		DSCA5535H7PCTS
	4.5mm		DSCA5545H7PCTS
	5.5mm		DSCA5555H7PCTS

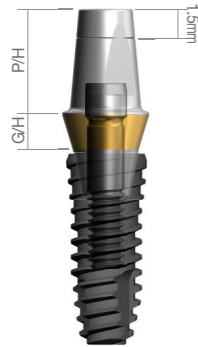
※ Set Code(S) : Abutment + Abutment Screw[DSAS]

Abutment Diameter	G/H	P/H	Code No.
Ø6.5	1.5mm	7mm	DSCA6515H7PCTS
	2.0mm		DSCA6520H7PCTS
	2.5mm		DSCA6525H7PCTS
	3.5mm		DSCA6535H7PCTS
	4.5mm		DSCA6545H7PCTS
	5.5mm		DSCA6555H7PCTS

※ Set Code(S) : Abutment + Abutment Screw[DSAS]



Couple Abutment | Regular / Wide [N-Hex]



DSCA4520NPCTS + DSSOFR4210

Abutment Diameter	G/H	P/H	Code No.
Ø4.5	1.0mm	5.5mm	DSCA4510NPCTS
	1.5mm		DSCA4515NPCTS
	2.0mm		DSCA4520NPCTS
	2.5mm		DSCA4525NPCTS
	3.5mm		DSCA4535NPCTS
	4.5mm		DSCA4545NPCTS
	5.5mm		DSCA4555NPCTS

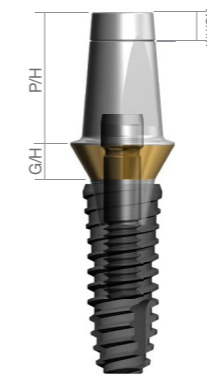
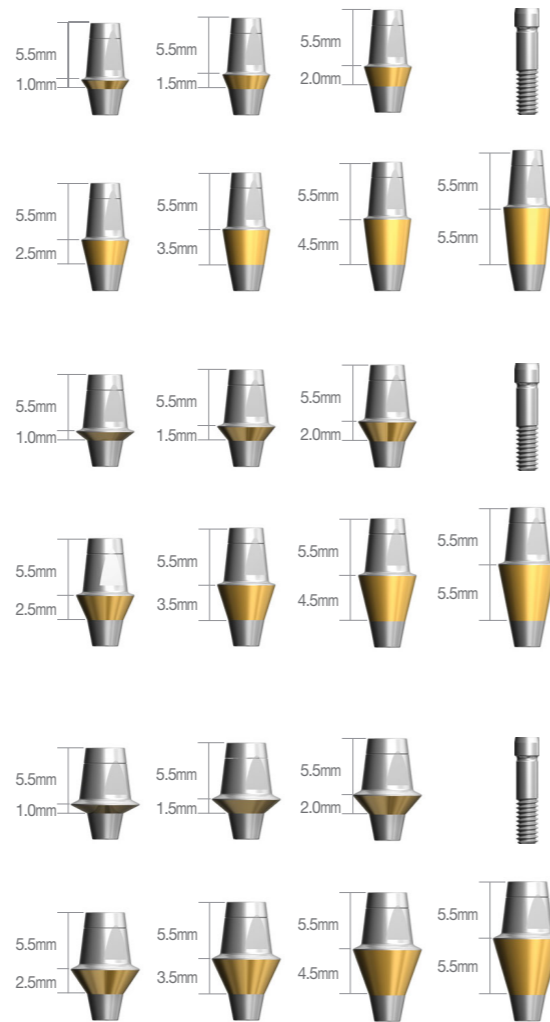
※ Set Code(S) : Abutment + Abutment Screw[DSAS]

Abutment Diameter	G/H	P/H	Code No.
Ø5.5	1.0mm	5.5mm	DSCA5510NPCTS
	1.5mm		DSCA5515NPCTS
	2.0mm		DSCA5520NPCTS
	2.5mm		DSCA5525NPCTS
	3.5mm		DSCA5535NPCTS
	4.5mm		DSCA5545NPCTS
	5.5mm		DSCA5555NPCTS

※ Set Code(S) : Abutment + Abutment Screw[DSAS]

Abutment Diameter	G/H	P/H	Code No.
Ø6.5	1.0mm	5.5mm	DSCA6510NPCTS
	1.5mm		DSCA6515NPCTS
	2.0mm		DSCA6520NPCTS
	2.5mm		DSCA6525NPCTS
	3.5mm		DSCA6535NPCTS
	4.5mm		DSCA6545NPCTS
	5.5mm		DSCA6555NPCTS

※ Set Code(S) : Abutment + Abutment Screw[DSAS]



DSCA5520N7PCTS + DSSOFR4210

Abutment Diameter	G/H	P/H	Code No.
Ø4.5	1.0mm	7mm	DSCA4510N7PCTS
	1.5mm		DSCA4515N7PCTS
	2.0mm		DSCA4520N7PCTS
	2.5mm		DSCA4525N7PCTS
	3.5mm		DSCA4535N7PCTS
	4.5mm		DSCA4545N7PCTS
	5.5mm		DSCA4555N7PCTS

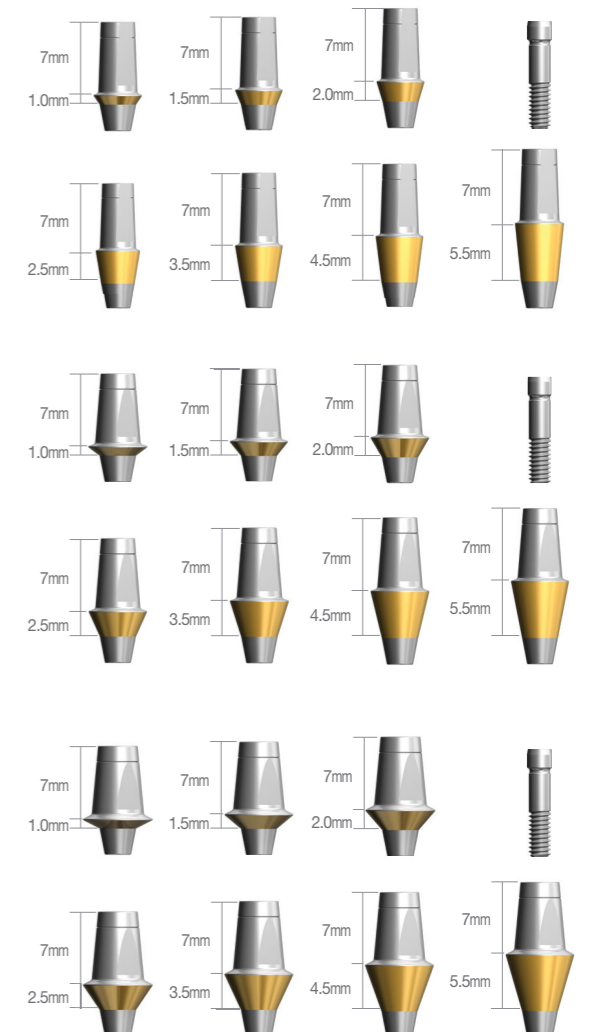
※ Set Code(S) : Abutment + Abutment Screw[DSAS]

Abutment Diameter	G/H	P/H	Code No.
Ø5.5	1.0mm	7mm	DSCA5510N7PCTS
	1.5mm		DSCA5515N7PCTS
	2.0mm		DSCA5520N7PCTS
	2.5mm		DSCA5525N7PCTS
	3.5mm		DSCA5535N7PCTS
	4.5mm		DSCA5545N7PCTS
	5.5mm		DSCA5555N7PCTS

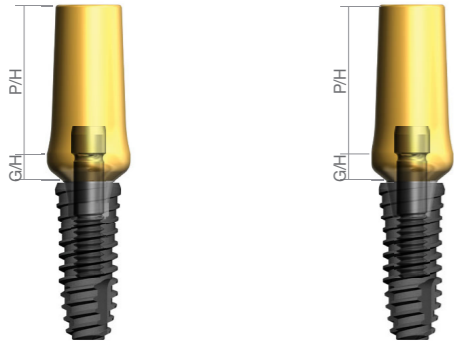
※ Set Code(S) : Abutment + Abutment Screw[DSAS]

Abutment Diameter	G/H	P/H	Code No.
Ø6.5	1.5mm	7mm	DSCA6515N7PCTS
	2.0mm		DSCA6520N7PCTS
	2.5mm		DSCA6525N7PCTS
	3.5mm		DSCA6535N7PCTS
	4.5mm		DSCA6545N7PCTS
	5.5mm		DSCA6555N7PCTS

※ Set Code(S) : Abutment + Abutment Screw[DSAS]



FreeMill Abutment | Regular / Wide [Hex / N-Hex]



DSFMA5520HHCTS + DSSOFR4210 DSFMA5520NHCTS + DSSOFR4210

Abutment Diameter	G/H	Type	Code No.
Ø4.0	1.5mm	Hex N-Hex	DSFMA4015HHCTS DSFMA4015NHCTS
	3.0mm	Hex N-Hex	DSFMA4030HHCTS DSFMA4030NHCTS

※ Set Code(S) : Abutment + Abutment Screw[DSAS]

Abutment Diameter	G/H	Type	Code No.
Ø4.5	2.0mm	Hex N-Hex	DSFMA4520HHCTS DSFMA4520NHCTS
	3.0mm	Hex N-Hex	DSFMA4530HHCTS DSFMA4530NHCTS

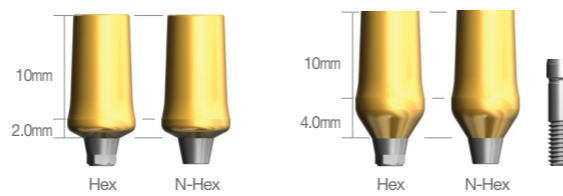
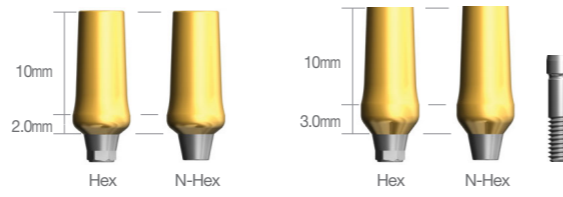
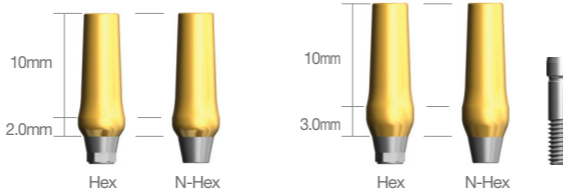
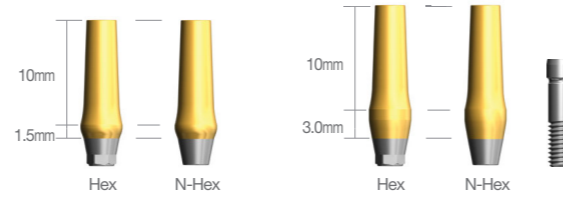
※ Set Code(S) : Abutment + Abutment Screw[DSAS]

Abutment Diameter	G/H	Type	Code No.
Ø5.5	2.0mm	Hex N-Hex	DSFMA5520HHCTS DSFMA5520NHCTS
	3.0mm	Hex N-Hex	DSFMA5530HHCTS DSFMA5530NHCTS

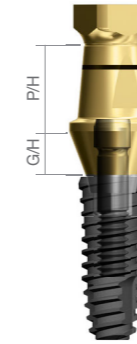
※ Set Code(S) : Abutment + Abutment Screw[DSAS]

Abutment Diameter	G/H	Type	Code No.
Ø6.5	2.0mm	Hex N-Hex	DSFMA6520HHCTS DSFMA6520NHCTS
	4.0mm	Hex N-Hex	DSFMA6540HHCTS DSFMA6540NHCTS

※ Set Code(S) : Abutment + Abutment Screw[DSAS]



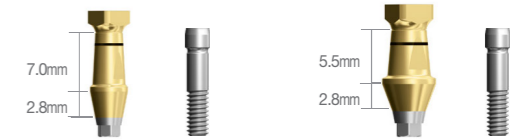
MOA Abutment



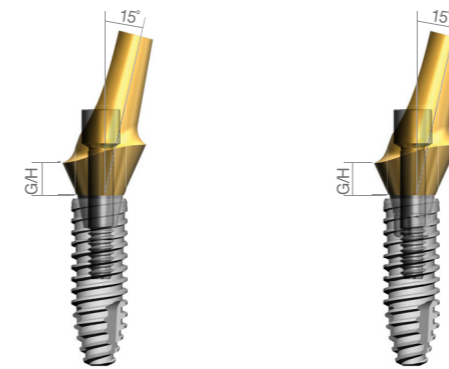
DSMA55305HCTS + DSSOFR4210

Abutment Diameter	G/H	P/H	Code No.
Ø4.5	2.8	7.0	DSMA45307HCTS
Ø5.5	2.8	5.5	DSMA55305HCTS

※ Set Code(S) : Abutment + Abutment Screw[DSAS]



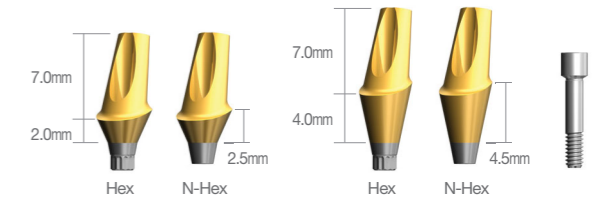
Angled Abutment | Narrow [15°] Recommended torque - Narrow size : 20Ncm / Regular, wide size : 30Ncm



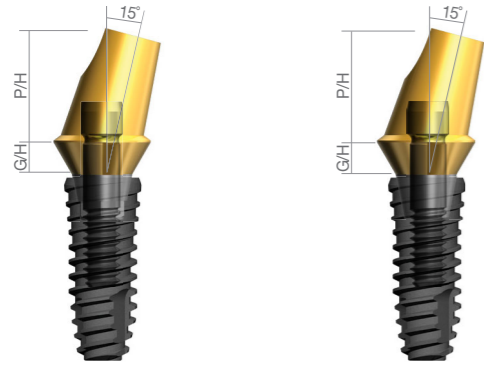
DSAAS40152HTS + DSSOFS3310 DSAAS40152NTS + DSSOFS3310

Abutment Diameter	Angle	G/H	Type	Code No.
Ø4.0	15°	2mm	Hex N-Hex	DSAAS40152HTS DSAAS40152NTS
		4mm	Hex N-Hex	DSAAS40154HTS DSAAS40154NTS

※ Set Code(S) : Abutment + Abutment Screw[DSASS]



Angled Abutment | Regular / Wide [15°]



DSAA55152HCTS + DSSOFR4210 DSAA55152NCTS + DSSOFR4210

Abutment Diameter	Angle	G/H	Type	Code No.
Ø4.5	15°	1mm	Hex N-Hex	DSAA45151HCTS DSAA45151NHCTS
		2mm	Hex N-Hex	DSAA45152HCTS DSAA45152NHCTS
		4mm	Hex N-Hex	DSAA45154HCTS DSAA45154NHCTS

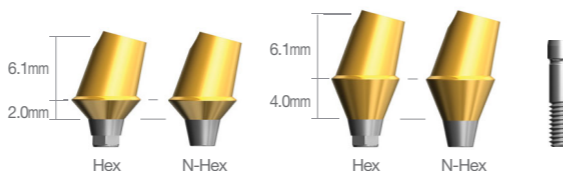
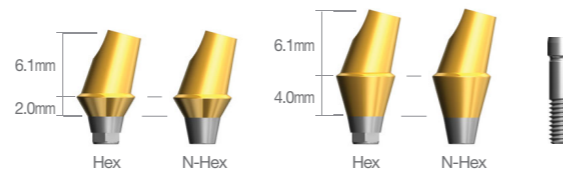
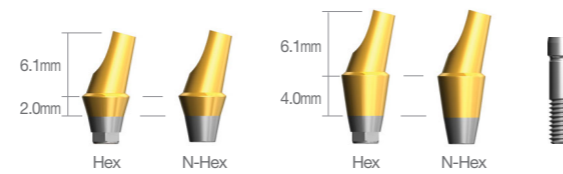
※ Set Code(S) : Abutment + Abutment Screw
[1mm – DSAS1 / 2, 4mm – DSAS]

Abutment Diameter	Angle	G/H	Type	Code No.
Ø5.5	15°	1mm	Hex N-Hex	DSAA55151HCTS DSAA55151NHCTS
		2mm	Hex N-Hex	DSAA55152HCTS DSAA55152NHCTS
		4mm	Hex N-Hex	DSAA55154HCTS DSAA55154NHCTS

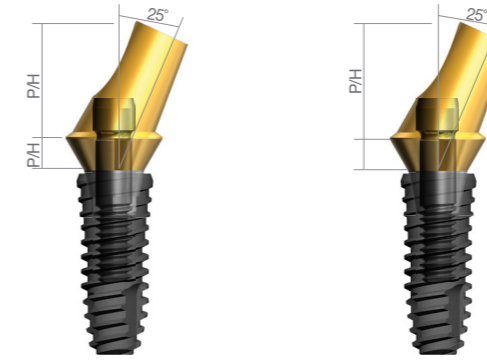
※ Set Code(S) : Abutment + Abutment Screw
[1mm – DSAS1 / 2, 4mm – DSAS]

Abutment Diameter	Angle	G/H	Type	Code No.
Ø6.5	15°	1mm	Hex N-Hex	DSAA65151HCTS DSAA65151NHCTS
		2mm	Hex N-Hex	DSAA65152HCTS DSAA65152NHCTS
		4mm	Hex N-Hex	DSAA65154HCTS DSAA65154NHCTS

※ Set Code(S) : Abutment + Abutment Screw
[1mm – DSAS1 / 2, 4mm – DSAS]



Angled Abutment | Regular / Wide [25°]



DSAA55252HCTS + DSSOFR4210 DSAA55252NCTS + DSSOFR4210

Abutment Diameter	Angle	G/H	Type	Code No.
Ø4.5	25°	1mm	Hex N-Hex	DSAA45251HCTS DSAA45251NHCTS
		2mm	Hex N-Hex	DSAA45252HCTS DSAA45252NHCTS
		4mm	Hex N-Hex	DSAA45254HCTS DSAA45254NHCTS

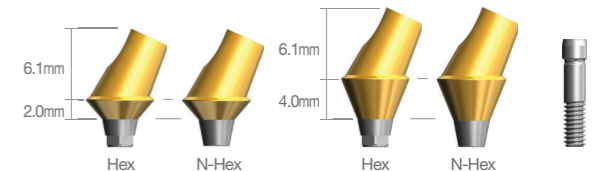
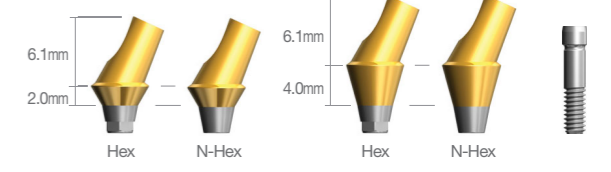
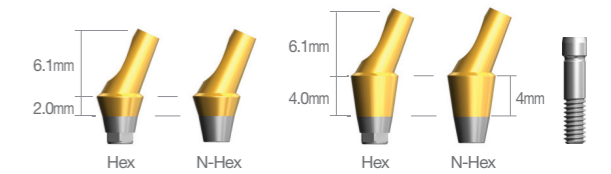
※ Set Code(S) : Abutment + Abutment Screw
[1mm – DSAS1 / 2, 4mm – DSAS]

Abutment Diameter	Angle	G/H	Type	Code No.
Ø5.5	25°	1mm	Hex N-Hex	DSAA55251HCTS DSAA55251NHCTS
		2mm	Hex N-Hex	DSAA55252HCTS DSAA55252NHCTS
		4mm	Hex N-Hex	DSAA55254HCTS DSAA55254NHCTS

※ Set Code(S) : Abutment + Abutment Screw
[1mm – DSAS1 / 2, 4mm – DSAS]

Abutment Diameter	Angle	G/H	Type	Code No.
Ø6.5	25°	1mm	Hex N-Hex	DSAA65251HCTS DSAA65251NHCTS
		2mm	Hex N-Hex	DSAA65252HCTS DSAA65252NHCTS
		4mm	Hex N-Hex	DSAA65254HCTS DSAA65254NHCTS

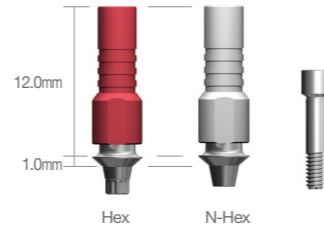
※ Set Code(S) : Abutment + Abutment Screw
[1mm – DSAS1 / 2, 4mm – DSAS]



Gold UCLA | Narrow Recommended torque - Narrow size : 20Ncm / Regular, wide size : 30Ncm

Abutment Diameter	Type	Code No.
Ø4.0	Hex	DSGUASHS
	N-Hex	DSGUASNS

※ Set Code(S) : Abutment + Abutment Screw[DSASS]



Gold UCLA | Regular / Wide

Abutment Diameter	Type	Code No.
Ø4.5	Hex	DSGCHS
	N-Hex	DSGCNS

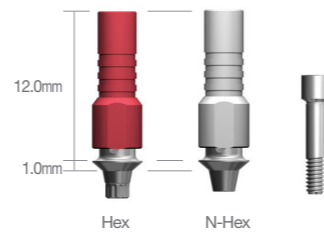
※ Set Code(S) : Abutment + Abutment Screw[DSAS]



CCM UCLA | Narrow Recommended torque - Narrow size : 20Ncm / Regular, wide size : 30Ncm

Abutment Diameter	Type	Code No.
Ø4.0	Hex	DSCUASHS
	N-Hex	DSCUASNS

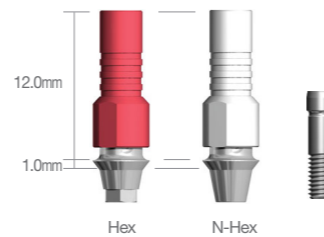
※ Set Code(S) : Abutment + Abutment Screw[DSASS]



CCM UCLA | Regular / Wide

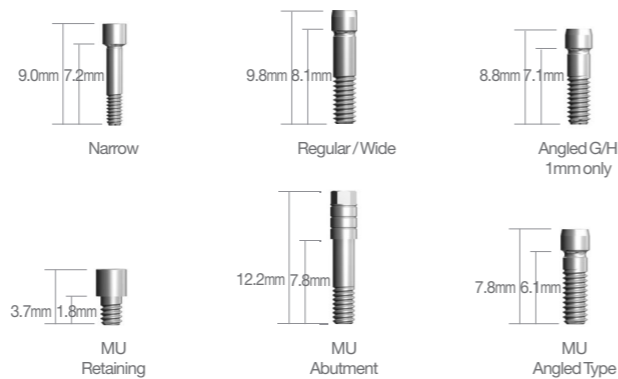
Abutment Diameter	Type	Code No.
Ø4.5	Hex	DSCUAHS
	N-Hex	DSCUANS

※ Set Code(S) : Abutment + Abutment Screw[DSAS]



Abutment Screw

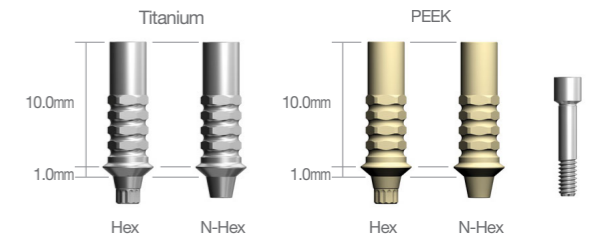
Type	Code No.
Narrow	DSASS
Regular / Wide	DSAS
Angled G/H 1mm only	DSAS1
MU Retaining	DMRTS
MU Abutment	DSMAS10/20/30/40
MU Angled Type	DSMAS



Temporary Abutment | Narrow Recommended torque - Narrow size : 20Ncm / Regular, wide size : 30Ncm

Abutment Diameter	Material	Type	Code No.
Ø4.0	Titanium	Hex	DSTAS40HS
		N-Hex	DSTAS40NS
	PEEK	Hex	DSPTS40HS
		N-Hex	DSPTS40NS

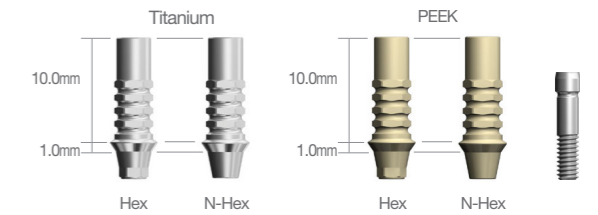
※ Set Code(S) : Abutment + Abutment Screw[DSASS]



Temporary Abutment | Regular / Wide

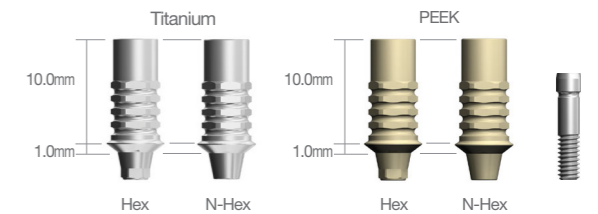
Abutment Diameter	Material	Type	Code No.
Ø4.5	Titanium	Hex	DSTA45HS
		N-Hex	DSTA45NS
	PEEK	Hex	DSPT45HS
		N-Hex	DSPT45NS

※ Set Code(S) : Abutment + Abutment Screw[DSAS]



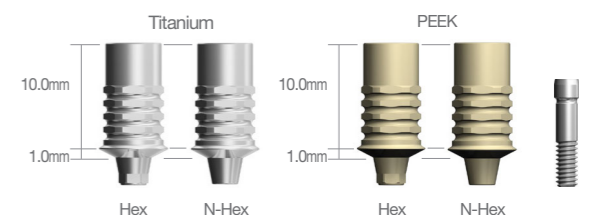
Abutment Diameter	Material	Type	Code No.
Ø5.5	Titanium	Hex	DSTA55HS
		N-Hex	DSTA55NS
	PEEK	Hex	DSPT55HS
		N-Hex	DSPT55NS

※ Set Code(S) : Abutment + Abutment Screw[DSAS]



Abutment Diameter	Material	Type	Code No.
Ø6.5	Titanium	Hex	DSTA65HS
		N-Hex	DSTA65NS
	PEEK	Hex	DSPT65HS
		N-Hex	DSPT65NS

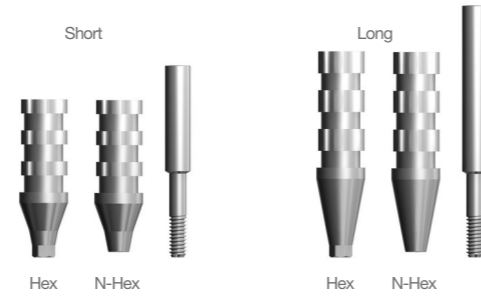
※ Set Code(S) : Abutment + Abutment Screw[DSAS]



Pick-Up Impression Coping | Narrow

Abutment Diameter	Type	Height	Code No.
Ø4.0	Hex	Short	DSIHS40SS
		Long	DSIHS40LS
	N-Hex	Short	DSINS40SS
		Long	DSINS40LS

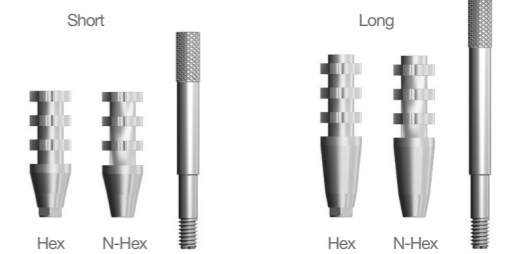
※ Set Code(S) : Impression Body + Pin
[Short - DSGPS15 / Long - DSGPS19]



Pick-Up Impression Coping | Regular / Wide

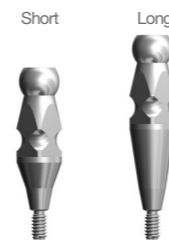
Abutment Diameter	Type	Height	Code No.
Ø4.5	Hex	Short	DSIH45SS
		Long	DSIH45LS
	N-Hex	Short	DSIN45SS
		Long	DSIN45LS

※ Set Code(S) : Impression Body + Pin
[Short - DSGP15 / Long - DSGPS19]



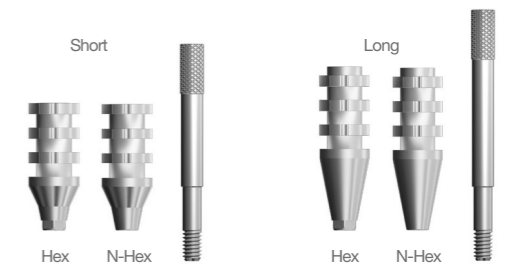
One-Body Transfer Impression Coping | Narrow

Abutment Diameter	Height	Code No.
Ø4.0	Short	DSOTICS40S
	Long	DSOTICS40L



Abutment Diameter	Type	Height	Code No.
Ø5.5	Hex	Short	DSIH55SS
		Long	DSIH55LS
	N-Hex	Short	DSIN55SS
		Long	DSIN55LS

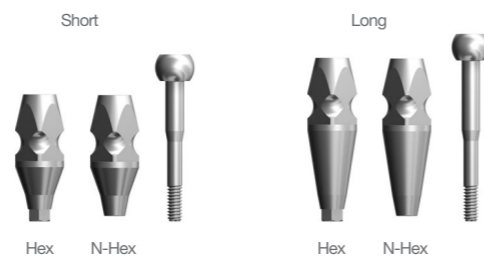
※ Set Code(S) : Impression Body + Pin
[Short - DSGP15 / Long - DSGPS19]



Transfer Impression Coping | Narrow

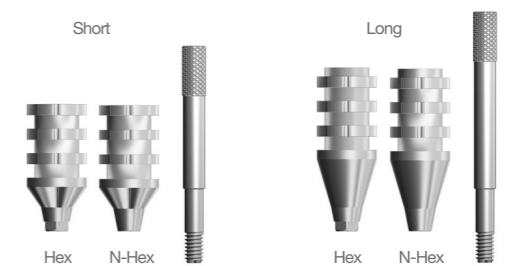
Abutment Diameter	Type	Height	Code No.
Ø4.0	Hex	Short	DSITHS40SS
		Long	DSITHS40LS
	N-Hex	Short	DSITNS40SS
		Long	DSITNS40LS

※ Set Code(S) : Impression Body + Pin
[Short - DSTSS / Long - DSTLS]



Abutment Diameter	Type	Height	Code No.
Ø6.5	Hex	Short	DSIH65SS
		Long	DSIH65LS
	N-Hex	Short	DSIN65SS
		Long	DSIN65LS

※ Set Code(S) : Impression Body + Pin
[Short - DSGP15 / Long - DSGPS19]

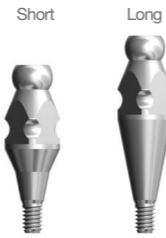


One-Body Transfer Impression Coping | Regular / Wide

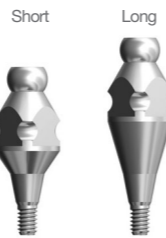
Abutment Diameter	Height	Code No.
Ø4.5	Short	DSOTIC45S
	Long	DSOTIC45L



Abutment Diameter	Height	Code No.
Ø5.5	Short	DSOTIC55S
	Long	DSOTIC55L

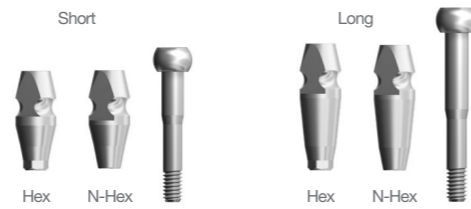


Abutment Diameter	Height	Code No.
Ø6.5	Short	DSOTIC65S
	Long	DSOTIC65L



Transfer Impression Coping | Regular / Wide

Abutment Diameter	Type	Height	Code No.
Ø4.5	Hex	Short	DSITH45SS
		Long	DSITH45LS
	N-Hex	Short	DSITN45SS
		Long	DSITN45LS



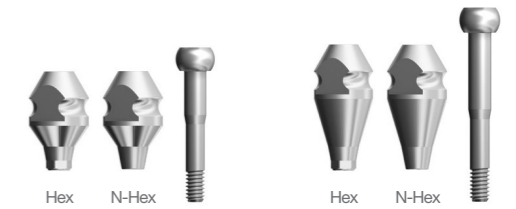
※ Set Code(S) : Impression Body + Pin
[Short - DSTS / Long - DSTL]

Abutment Diameter	Type	Height	Code No.
Ø5.5	Hex	Short	DSITH55SS
		Long	DSITH55LS
	N-Hex	Short	DSITN55SS
		Long	DSITN55LS



※ Set Code(S) : Impression Body + Pin
[Short - DSTS / Long - DSTL]

Abutment Diameter	Type	Height	Code No.
Ø6.5	Hex	Short	DSITH65SS
		Long	DSITH65LS
	N-Hex	Short	DSITN65SS
		Long	DSITN65LS



※ Set Code(S) : Impression Body + Pin
[Short - DSTS / Long - DSTL]

Lab Analog | Narrow

Abutment Diameter	Code No.
Ø4.0	DSCLAS



Lab Analog | Regular / Wide

Abutment Diameter	Code No.
Ø4.5	DSCLA



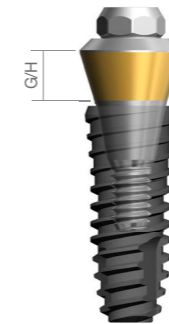
Prosthetic Flow Diagrams for OneQ Sub Octa System

Abutment Level Impression / Screw Restoration

N Narrow Type

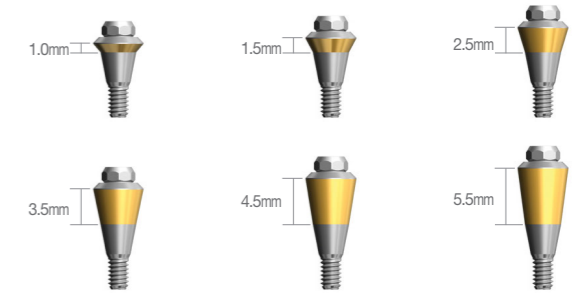


Sub Octa Abutment | Regular / Wide



DSOA482PCT + DSSOFR4210

Abutment Diameter	G/H	Code No.
Ø4.8	1.0mm	DSOA480PCT
	1.5mm	DSOA481PCT
	2.5mm	DSOA482PCT
	3.5mm	DSOA483PCT
	4.5mm	DSOA484PCT
	5.5mm	DSOA485PCT



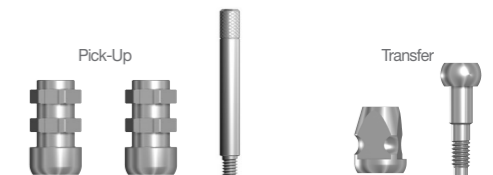
Octa Healing Cap

Abutment Diameter	Code No.
Ø4.8	DIOHC



Impression Coping

Abutment Diameter	Type	Code No.
Ø4.8	Pick-Up	DIOIOS DIOINS
	Transfer	DIOTIS



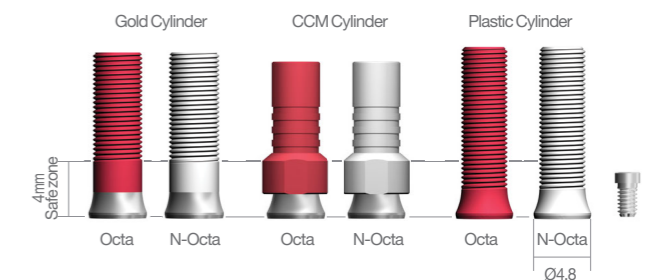
Lab Analog

Abutment Diameter	Code No.
Ø4.8	DIOLA



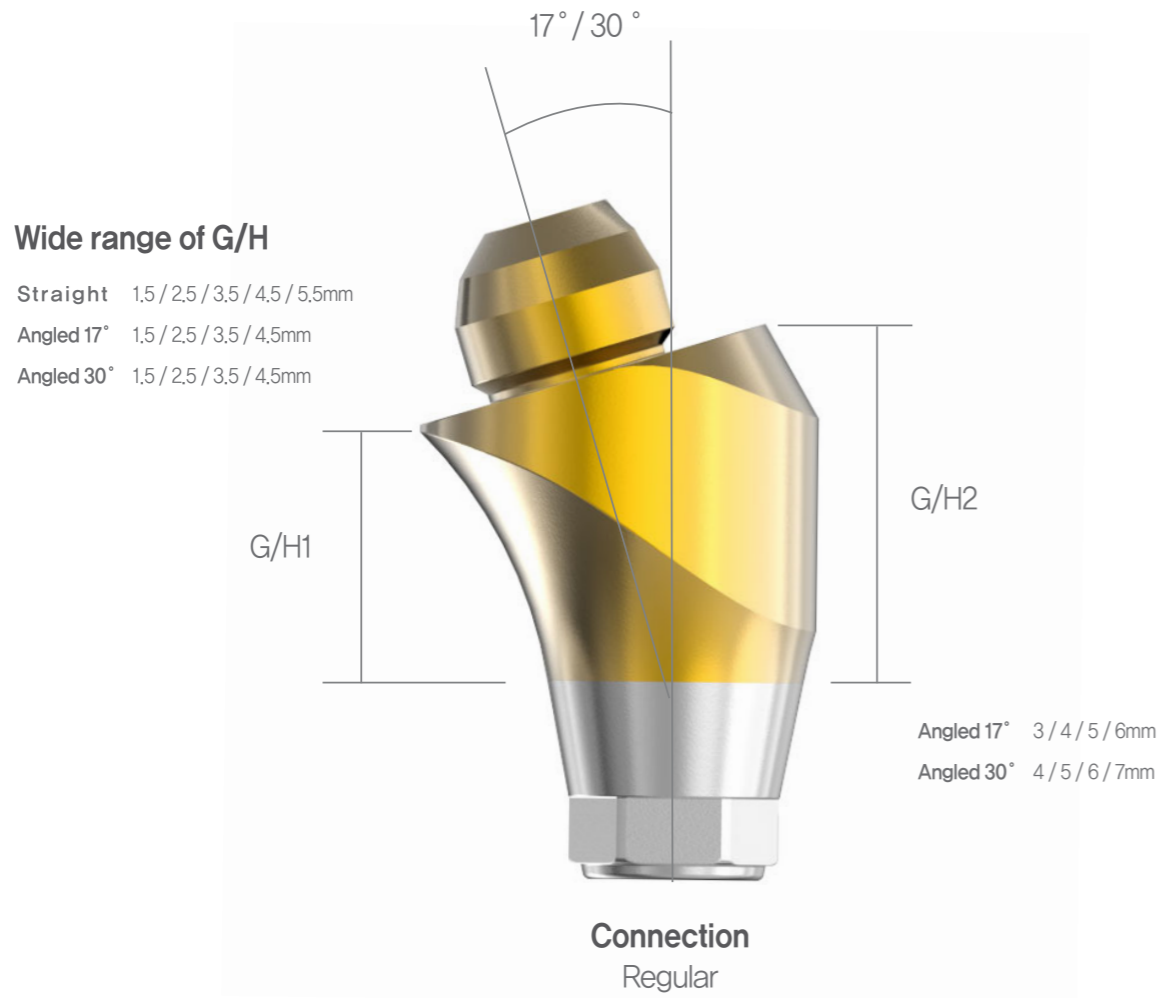
Cylinder

Abutment Diameter	Type	Angle	Code No.
Ø4.8	Gold	Octa	DIOGCOS
		N-Octa	DIOGCNS
	CCM	Octa	DIOCC48OS
		N-Octa	DIOCC48NS
	Plastic	Octa	DIOPOS
		N-Octa	DIO PNS



※ Set Code(S) : Abutment + Abutment Screw[DIOACS]

Multi-Unit Abutment



Composition of Scanbody and Digital Lab Analog

- Digital Work-Flow is available
- Exclusive Library (3shape / Exocad)



Prosthetic Flow Diagrams for MU Abutment System

Description	Flow	Tool
Screw	Cylinder Screw	1.25 Hex Driver
Cylinder	CCM, Temporary	
Lab Analog		
Impression Coping & Scanbody	Transfer, Pick-up, Scanbody	1.25 Hex Driver
Mu Healing Cap		1.25 Hex Driver
Abutment	Straight, Angled	Straight driver, 1.25 Hex Driver
	Cover Screw, Healing Abutment	1.25 Hex Driver
OneQ Fixture	OneQ-SL(Regular), OneQ-SL(Wide)	No-Mount Driver, Ratchet Driver

Multi-Unit Abutment Line-Up

MU Straight Abutment Recommended Torque: 30Ncm

Regular

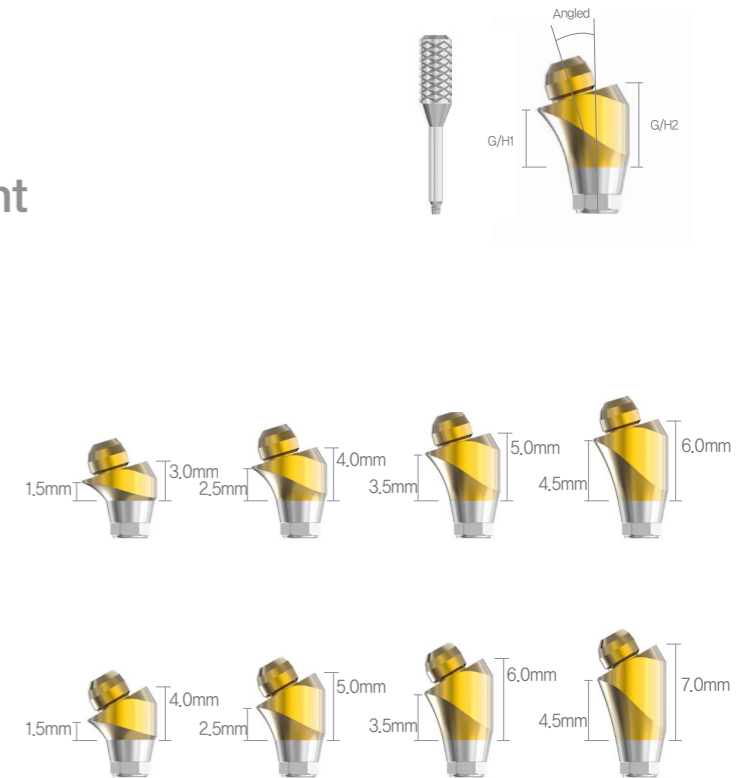
Diameter	Hex Size	Cuff	Code No.
Ø4.8	Sole Type	1.5	DSMUS15S
		2.5	DSMUS25S
		3.5	DSMUS35S
		4.5	DSMUS45S
		5.5	DSMUS55S



s-Clean MU Angled Abutment

Regular Recommended Torque: 30Ncm

Diameter	Hex Size	Angled	G/H1	G/H2	Code No.
Ø4.8	Hex 2.5	17	1.5	3	DSMUA1715S
			2.5	4	DSMUA1725S
			3.5	5	DSMUA1735S
			4.5	6	DSMUA1745S
		30	1.5	4	DSMUA3015S
			2.5	5	DSMUA3025S
			3.5	6	DSMUA3035S
			4.5	7	DSMUA3045S



Screw Code : DSMUAS

MU Straight Abutment Driver

Code No.

DSMUSD

※ For fixing MU Straight Abutment



Impression Coping

Code No.

MU Transfer Coping

DSMUTICSS

MU Pick-up Coping

DSMUPICSS

Transfer Screw : DSMUTICS

Pick-up Screw : DSMUPICS



Cylinder

Code No.

MU CCM Cylinder

DSMUCCS

MU Temporary Cylinder

DSMUTCS

MU Cylinder Screw : DSMUCS



MU Scanbody

Code No.

DSMUSBSS

DSMUSBLS

MU Scanbody Screw : DSMUSS



MU Healing Cap

Code No.

DSMUHC



MU Digital Lab Analog

Code No.

MU Digital Lab Analog

DSMUSDL



MU Ti Base

Code No.

DSMUTBSS

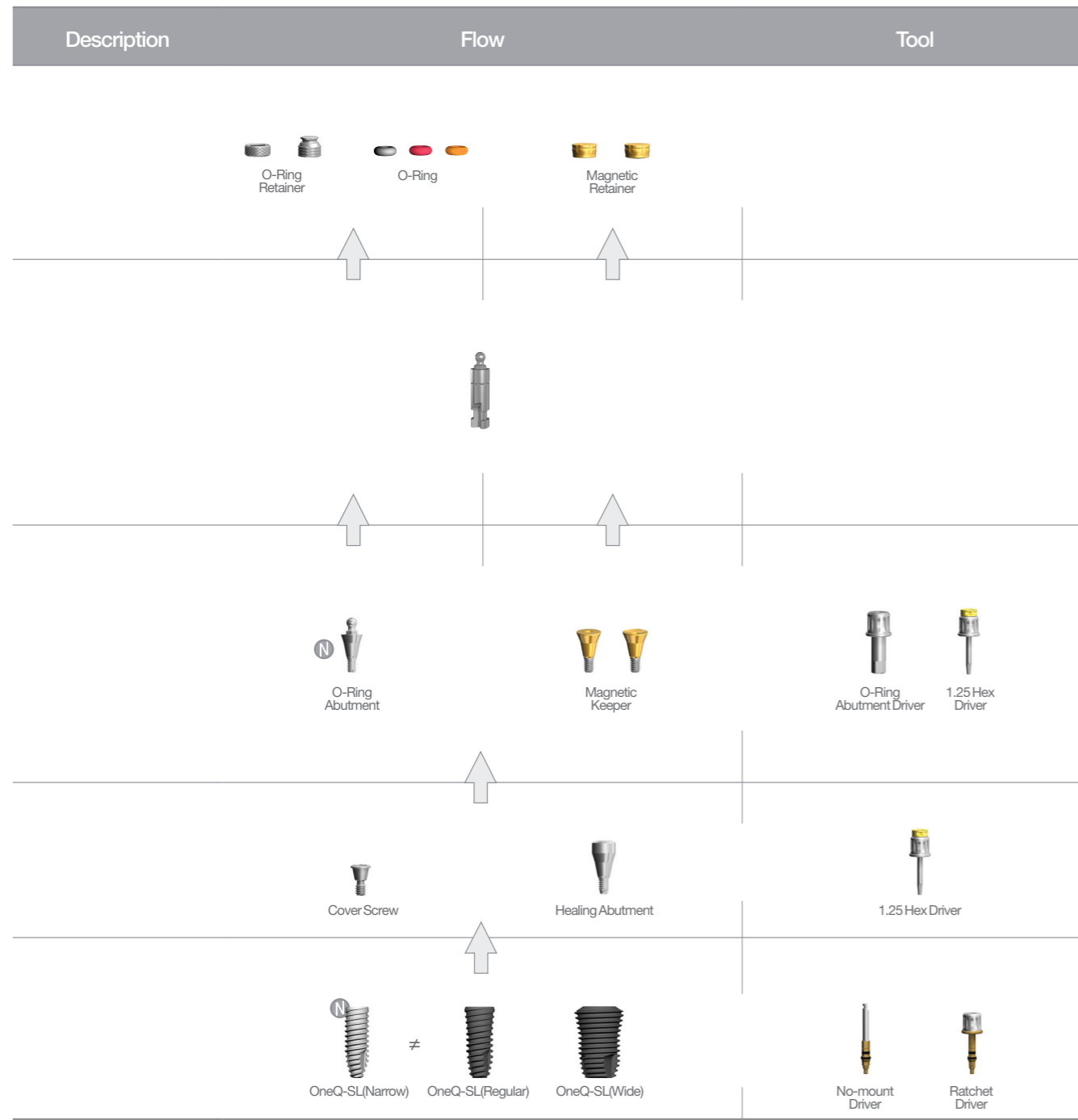
DSMUTBLS

MU Cylinder Screw : DSMUCS

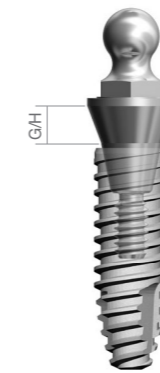


Prosthetic Flow Diagrams for OneQ Overdenture System

N Narrow Type



O-Ring Abutment | Narrow Recommended torque - Narrow size : 20Ncm / Regular, wide size : 30Ncm

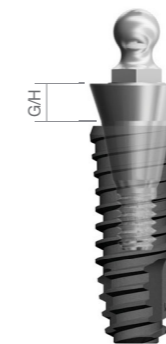


DSORAS20 + DSSOFS3310

Abutment Diameter	G/H	Code No.
Ø3.5	2mm 4mm	DSORAS20 DSORAS40



O-Ring Abutment | Regular / Wide

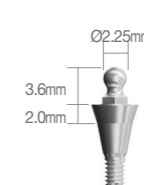


DSORA20 + DSSOFR4210

Abutment Diameter	G/H	Code No.
Ø3.4	0.5mm	DSORA00



Abutment Diameter	G/H	Code No.
Ø4.5	2mm 4mm	DSORA20 DSORA40



O-Ring Lab Analog

Code No.

DOLA



O-Ring Retainer | Open

Code No.

DORS



O-Ring Retainer | Close

Code No.

DORCS

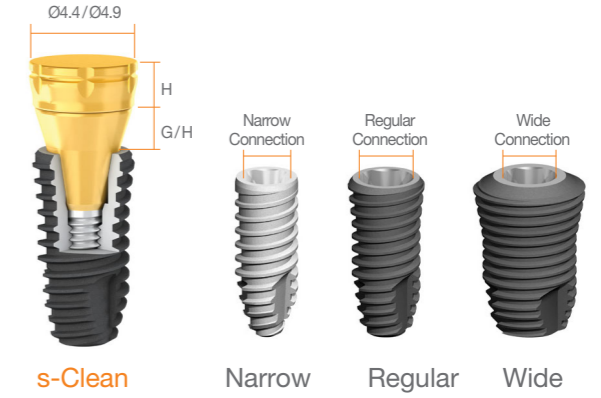
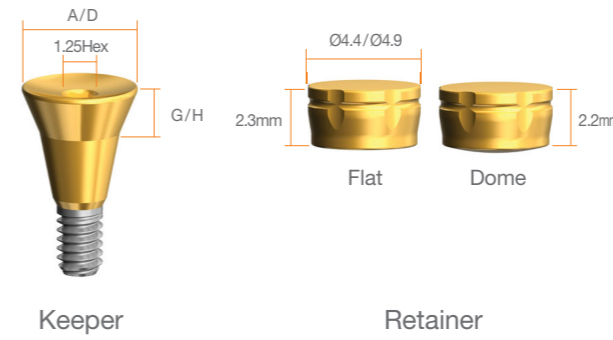


O-Ring

Abutment Color	Code No.
BLACK	DOAO100
RED	DOAO400
ORANGE	DOAO800



OneQ Magnetic Attachment

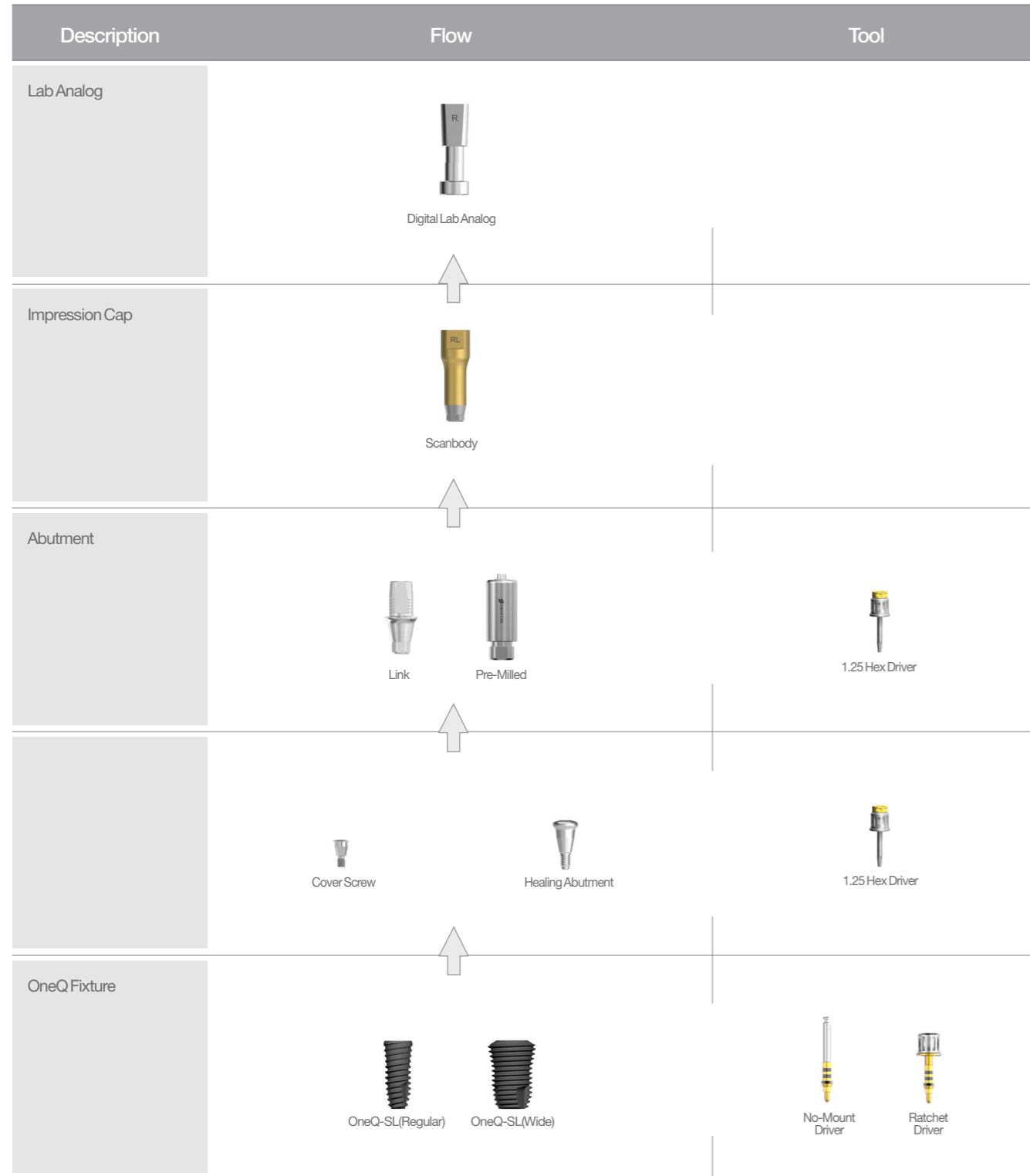


Flat Type					
Type	A/D	G/H	Keeper Code	Retainer Code	Set Code
Narrow	4.4	1.0	DSNMK4410F	DMDRA4423F	DSNMK4410FS
		2.0	DSNMK4420F		DSNMK4420FS
		3.0	DSNMK4430F		DSNMK4430FS
		4.0	DSNMK4440F		DSNMK4440FS
		5.0	DSNMK4450F		DSNMK4450FS
	4.9	1.0	DSNMK4910F	DMDRA4923F	DSNMK4910FS
		2.0	DSNMK4920F		DSNMK4920FS
		3.0	DSNMK4930F		DSNMK4930FS
		4.0	DSNMK4940F		DSNMK4940FS
		5.0	DSNMK4950F		DSNMK4950FS
Regular / Wide	4.4	1.0	DSRMK4410F	DMDRA4423F	DSRMK4410FS
		2.0	DSRMK4420F		DSRMK4420FS
		3.0	DSRMK4430F		DSRMK4430FS
		4.0	DSRMK4440F		DSRMK4440FS
		5.0	DSRMK4450F		DSRMK4450FS
	4.9	1.0	DSRMK4910F	DMDRA4923F	DSRMK4910FS
		2.0	DSRMK4920F		DSRMK4920FS
		3.0	DSRMK4930F		DSRMK4930FS
		4.0	DSRMK4940F		DSRMK4940FS
		5.0	DSRMK4950F		DSRMK4950FS

Dome Type					
Type	A/D	G/H	Keeper Code	Retainer Code	Set Code
Narrow	4.4	1.0	DSNMK4410D	DMDRA4422D	DSNMK4410DS
		2.0	DSNMK4420D		DSNMK4420DS
		3.0	DSNMK4430D		DSNMK4430DS
		4.0	DSNMK4440D		DSNMK4440DS
		5.0	DSNMK4450D		DSNMK4450DS
	4.9	1.0	DSNMK4910D	DSNMK4922D	DSNMK4910DS
		2.0	DSNMK4920D		DSNMK4920DS
		3.0	DSNMK4930D		DSNMK4930DS
		4.0	DSNMK4940D		DSNMK4940DS
		5.0	DSNMK4950D		DSNMK4950DS
Regular / Wide	4.4	1.0	DSRMK4410D	DMDRA4422D	DSRMK4410DS
		2.0	DSRMK4420D		DSRMK4420DS
		3.0	DSRMK4430D		DSRMK4430DS
		4.0	DSRMK4440D		DSRMK4440DS
		5.0	DSRMK4450D		DSRMK4450DS
	4.9	1.0	DSRMK4910D	DMDRA4922D	DSRMK4910DS
		2.0	DSRMK4920D		DSRMK4920DS
		3.0	DSRMK4930D		DSRMK4930DS
		4.0	DSRMK4940D		DSRMK4940DS
		5.0	DSRMK4950D		DSRMK4950DS

※ Set Code(S) : Keeper+ Retainer

Diagrams for Digital System



ScanBody



Submerged Narrow

Diameter	Length	Type	Code No.
Ø4.0	8mm	Narrow Short	DSSBNSS
	12mm	Narrow Long	DSSBNLS
	16mm	Narrow Extra Long	DSSBNELS

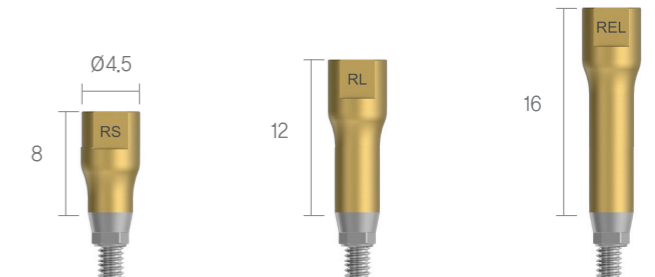
Screw : DSSBSS



Regular

Diameter	Length	Type	Code No.
Ø4.5	8mm	Regular Short	DSSBRSS
	12mm	Regular Long	DSSBRLS
	16mm	Regular Extra Long	DSSBRELS

Screw : DSSBS



Pre-Milled Abutment



Submerge A-TYPE(Arum)

Narrow

Abutment Diameter	Hex	Code No.
Ø10	Double Hex	DSCBAN10HS
	Non-Hex	DSCBAN10NS

Screw Code : DSASS



Regular

Abutment Diameter	Hex	Code No.
Ø10	Hex	DSCBA10HS
	Non-Hex	DSCBA10NS
Ø14	Hex	DSCBA14HS
	Non-Hex	DSCBA14NS

Screw Code : DSAS



Submerge M-TYPE(Manix)

Narrow

Abutment Diameter	Hex	Code No.
Ø10	Double Hex	DSCBMN10HS
	Non-Hex	DSCBMN10NS



Regular

Abutment Diameter	Hex	Code No.
Ø10	Hex	DSCBM10HS
	Non-Hex	DSCBM10NS
Ø14	Hex	DSCBM14HS
	Non-Hex	DSCBM14NS



Link Abutment

3shape
exocad

Link Abutments are used when making Zirconia custom abutments with CAD/CAM equipment

Recommended Torque: 20Ncm (Narrow), 30Ncm (Mini, Regular)

Narrow

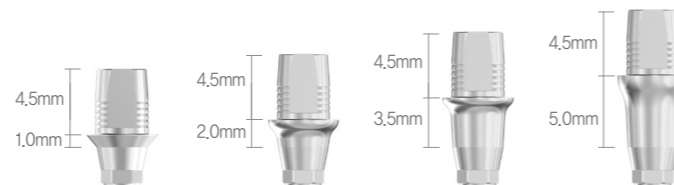
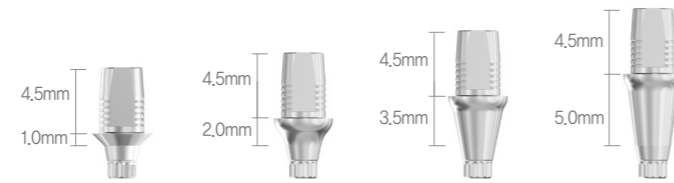
Abutment Diameter	Hex	G/H	Code No.
Ø 4.0	Double HEX	1	DSLAN401045HS
		2	DSLAN402045HS
		3.5	DSLAN403545HS
		5.0	DSLAN405045HS

Screw Code : DSASS

Regular

Abutment Diameter	Hex	G/H	Code No.
Ø 4.8	HEX	1	DSLAR481045HS
		2	DSLAR482045HS
		3.5	DSLAR483545HS
		5.0	DSLAR485045HS

Screw Code : 2DSAS



Digital Analog

3shape
exocad

Digital Lab Analogs are used for making models with a 3D printer

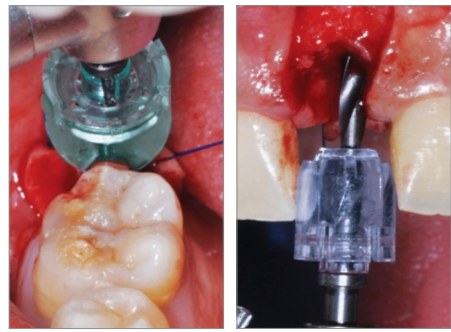
Type	Code No.
Narrow	DSDLANS
Regular	DSDLARS



Tighten screw from the bottom

Simple Implant System

DENTIS Guide Wheel



Visualized Procedure

- Visible surgery site with transparent material

Simple Protocol

- Can be used with any initial drill

Enhanced Irrigation

- Mechanically enhanced irrigation system

Avoid Cross Contamination

- One time use, disposable

Versatile

- Applicable to single to multiple cases

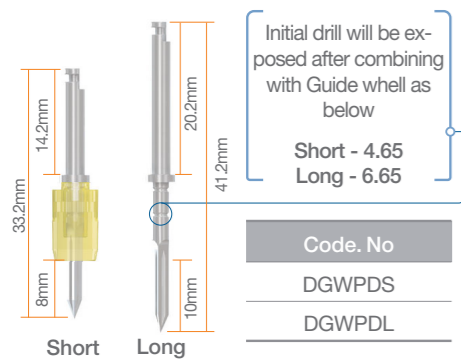
Economical Solution

- Avoid using expensive and complex guided surgery system

Reduced chair time

- Easy determination of osteotomy site with simple comparison between Guide wheel and adjacent tooth

Guide Wheel Initial Drill



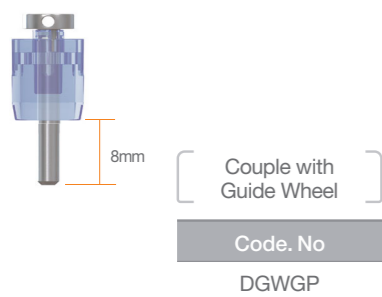
Guide Wheel



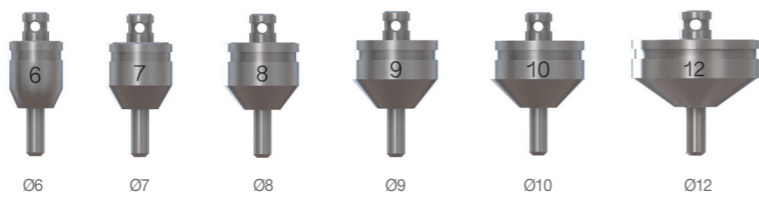
► Coupled with Initial Drill, utilize Guide Wheel for initial osteotomy and measurement for future prosthesis

Code. No	DGW6	DGW7	DGW8	DGW9	DGW10	DGW12
color	Yellow	Pink	Blue	Green	Black	Clear
Size	Ø6	Ø7	Ø8	Ø9	Ø10	Ø12

Guide Pole



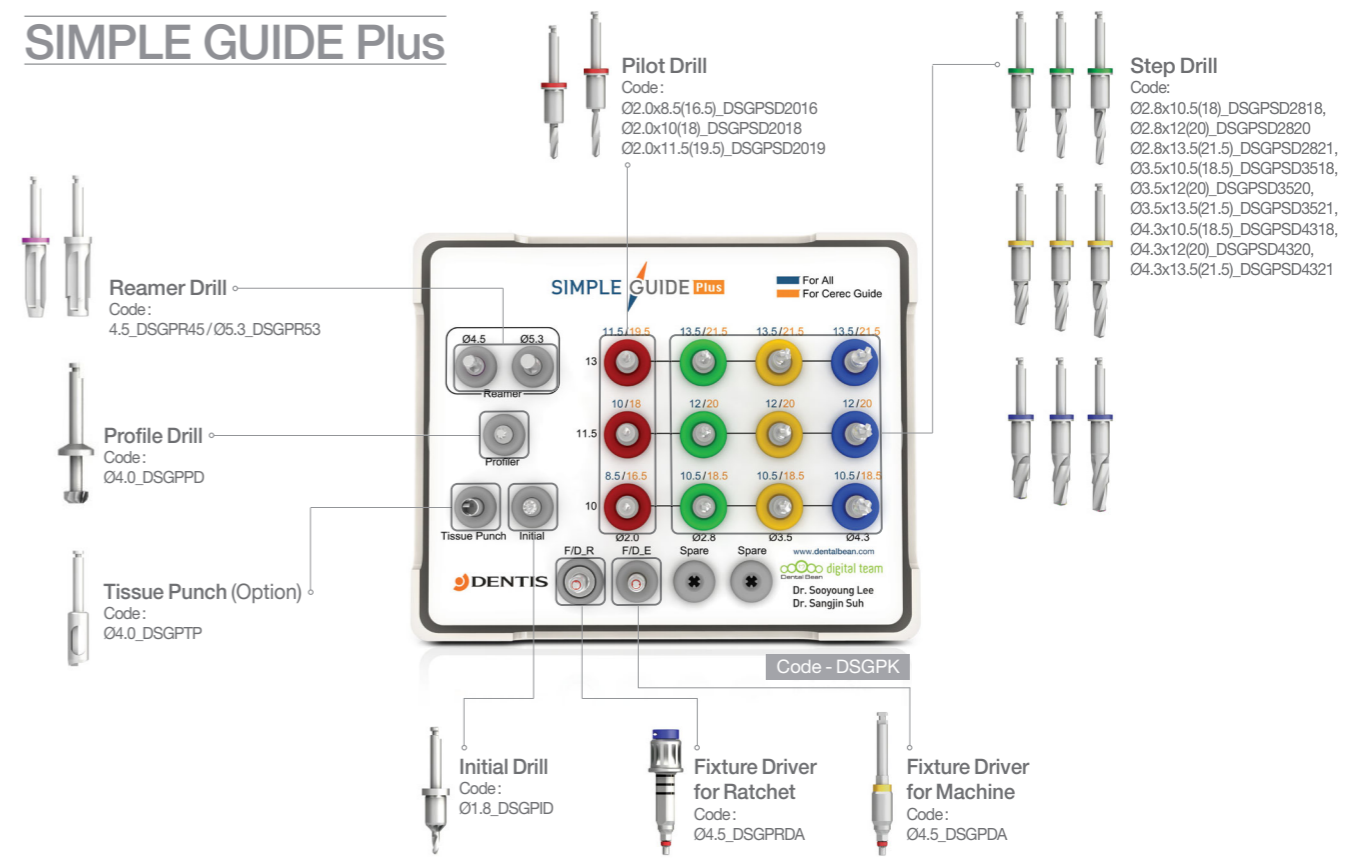
Guide Pin



► Apply Guide Pin on osteotomy to visualize future prosthesis
► Apply Guide Pin for multiple cases

Code. No	DGWP6	DGWP7	DGWP8	DGWP9	DGWP10	DGWP12
Size	Ø6	Ø7	Ø8	Ø9	Ø10	Ø12

SIMPLE GUIDE Plus



Guide Surgery Work Process



► Finish everything of your case within a day with ZENITH 3D printing system.

ZENITH 3D Printing System

The New Paradigm of 3D Printer

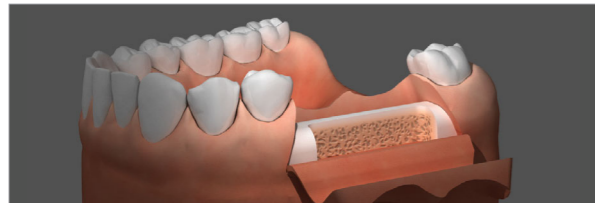
ZENITH® 3D Printer provides the ultimate accuracy and incredible production speed.

The perfect opportunity to join in the Digital Dentistry!

Applications : Dental Model, Surgical Guide, Temporary, Castable Material, Splint, IDB Tray, Bite Tray

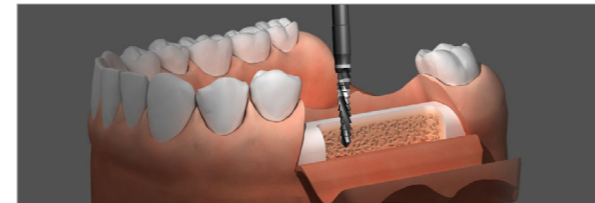


OneQ Drilling Manual



1. Incision

- Make an incision in the area where the implant will be placed.



2. Lindemann Drill

- Make a guide hole for the initial drilling by using Lindemann drill.
- We recommend 1,000RPM while drilling as well as continued drilling that reaches the bottom of the laser-marked line.



3. Straight Drill

- We recommend 800-1,000RPM while drilling as well as continued drilling that reaches the laser-marked line based on the depth.
- ※RPM can be set diversely depending on the bone density.
- Choose the appropriate drill that is equal to the length of fixture to be placed and then drilling that continues to the own stopper.

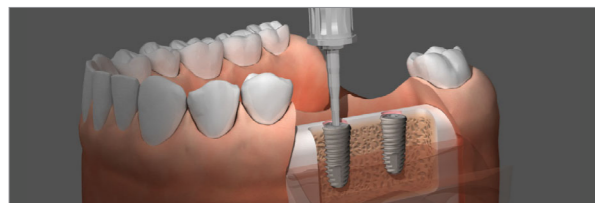


4. Countersink

- We recommend 800-1,000RPM while drilling.
- ※RPM can be set diversely depending on the bone density.
- In case of D1-D2 bone, drill until upper line of laser marking.
- In case of D3-D4 bone, drill until lower line of laser marking.

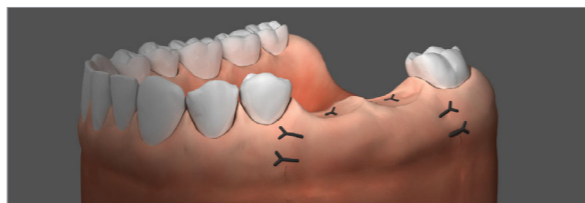
5. Fixture Placement [1]

- By using s-Clean No-Mount Driver, a component of Surgical Kit Set, place the fixture.
- We recommend 30Ncm under 20RPM while placing.
- ※Set the maximum torque to 40Ncm.



6. Fixture Placement [2]

- By using Torque Ratchet of Surgical Kit Set, connect s-Clean Ratchet Driver and then place the fixture.
- Placing that continues to the laser-marked line on the driver.
- It should be caution against too excessive torque.



7. Cover Screw Connection

- Remove the cover screw from the Ampoule case using a 1.25 hex hand driver, and then connect the screw to the fixture.
- When connecting the cover screw to the fixture, set the torque to 5-8Ncm.

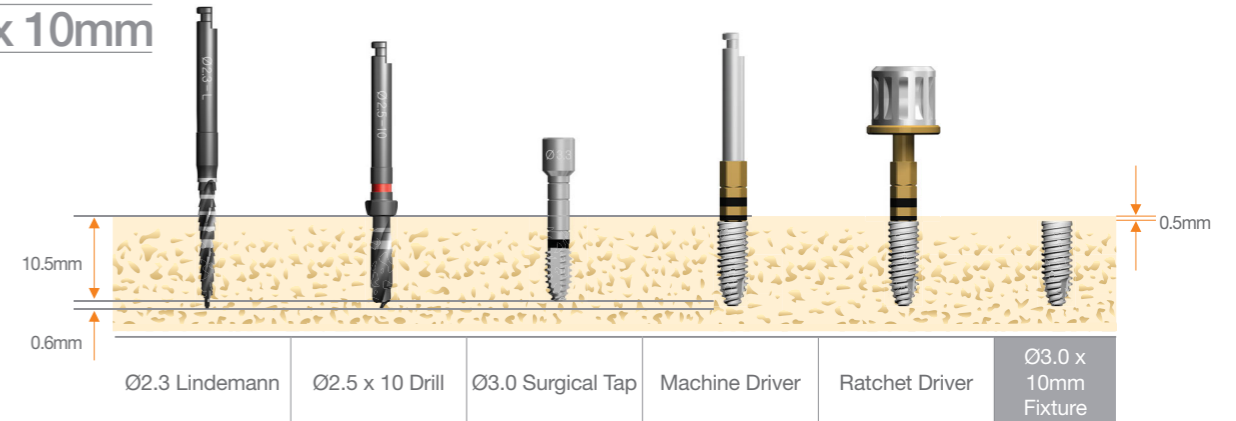
8. Suture

- After connecting the cover screw to the fixture, suture the incised gingiva.
- Make sure there is enough attached gingiva for stability.

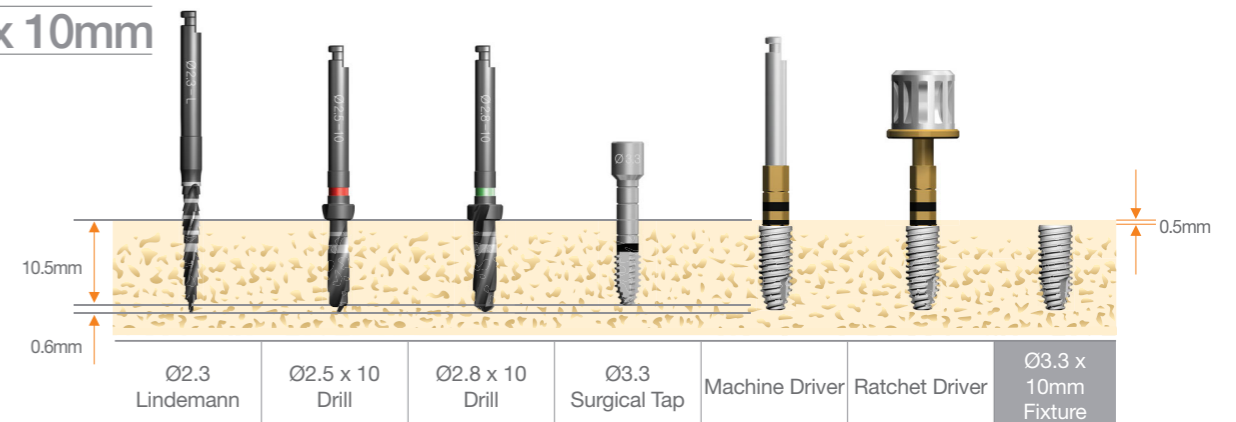
Drilling & Fixture Placement Concept

When place fixture, Drilling has to 0.5mm deeper than fixture length and place fixture 0.5mm lower than bone level.

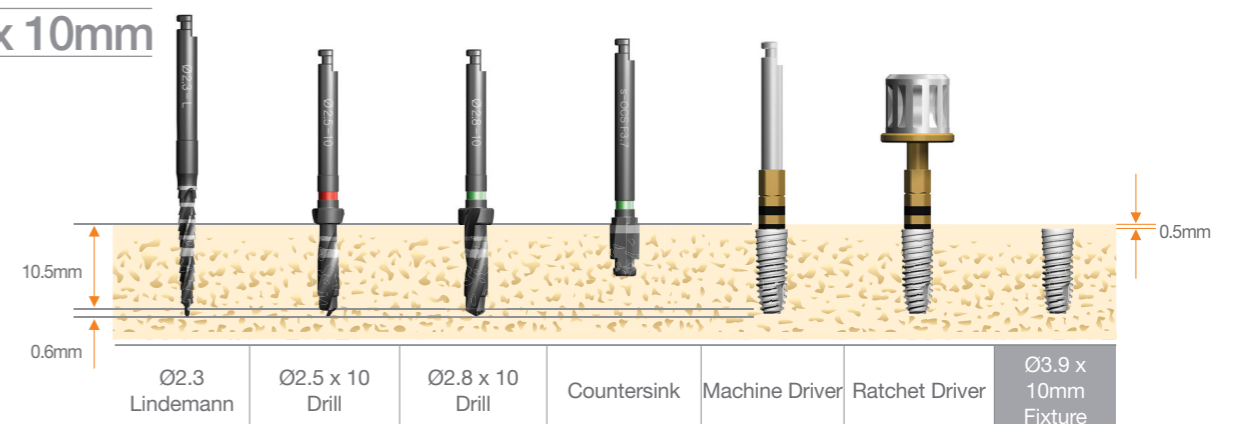
Ø3.0 x 10mm

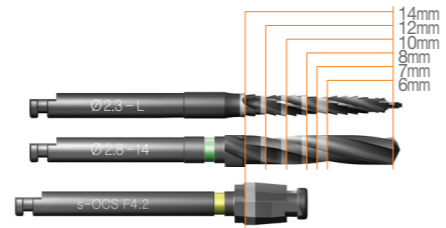


Ø3.3 x 10mm

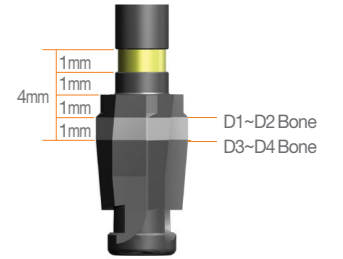
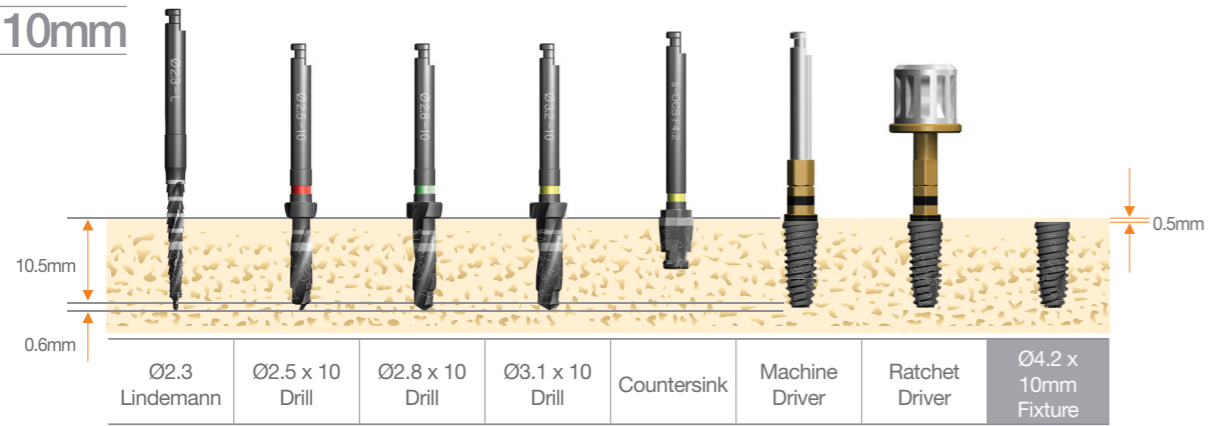


Ø3.9 x 10mm

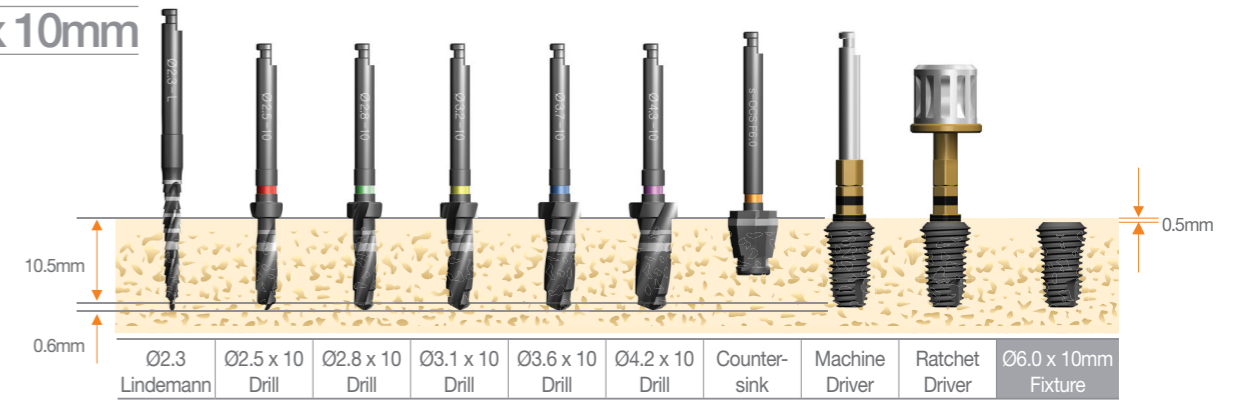




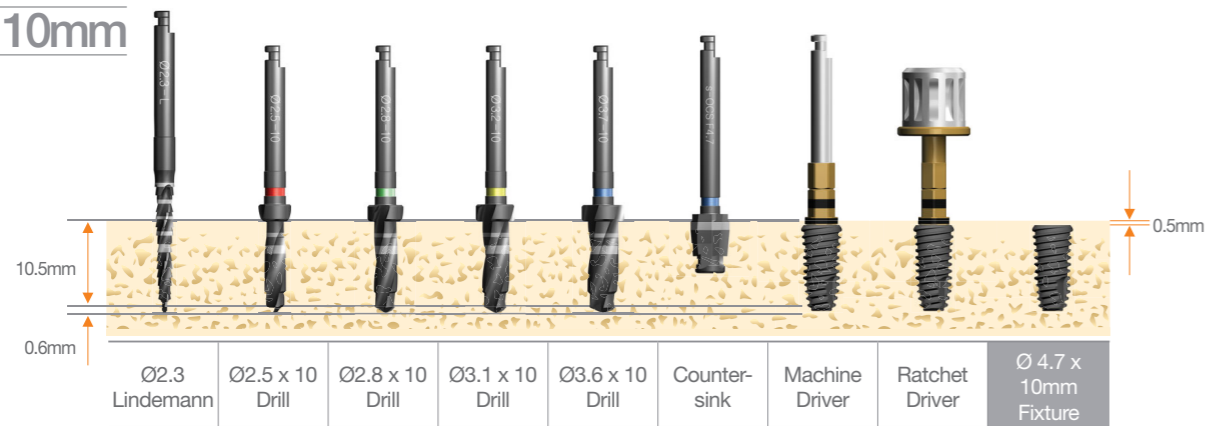
Ø4.2 x 10mm



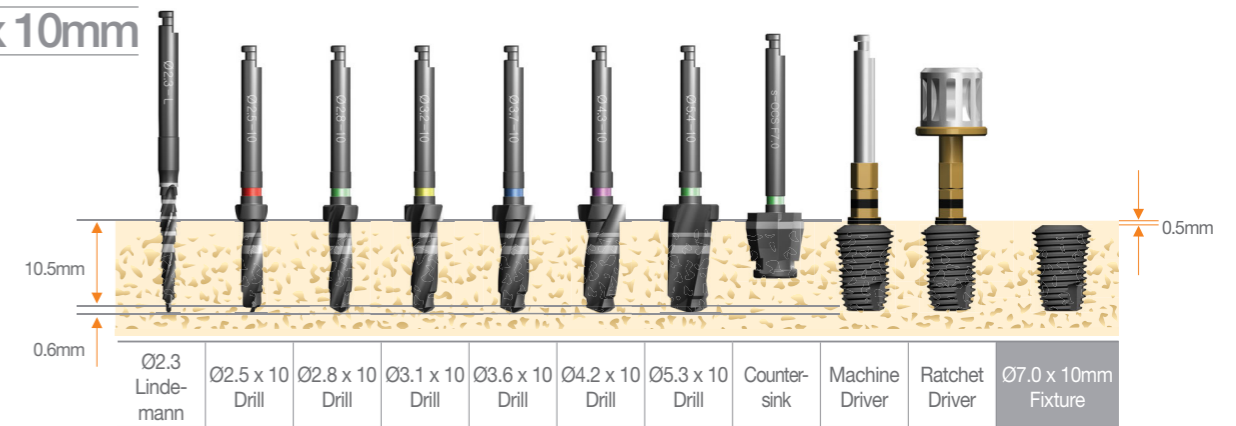
Ø6.0 x 10mm



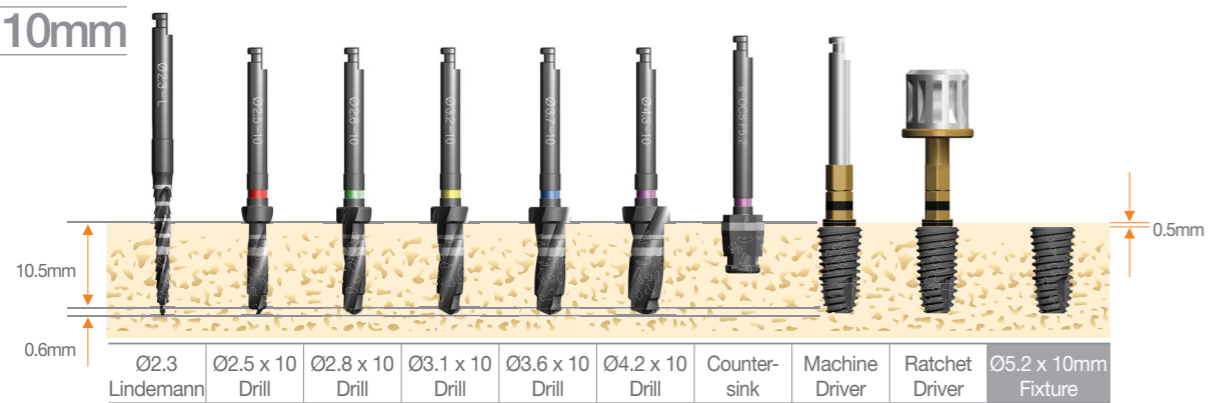
Ø4.7 x 10mm



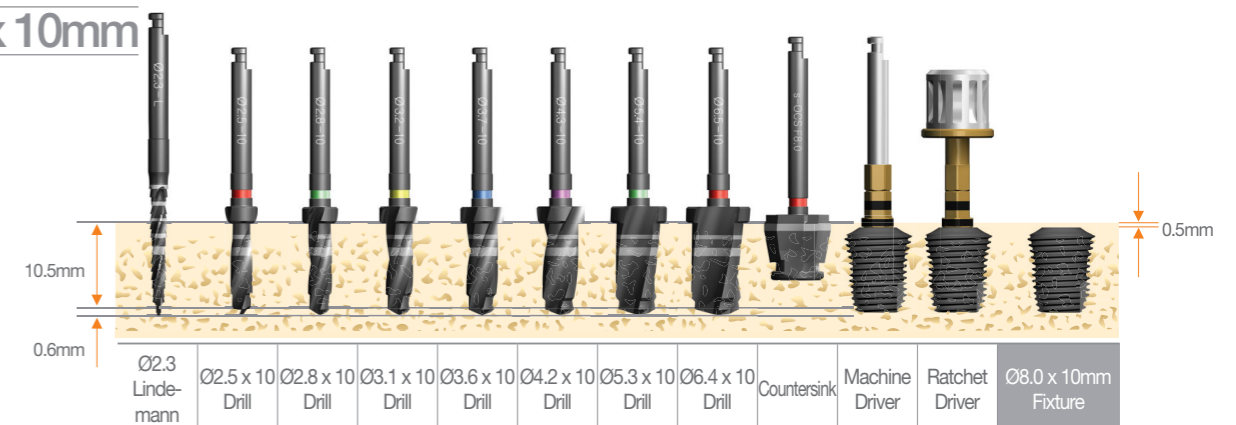
Ø7.0 x 10mm



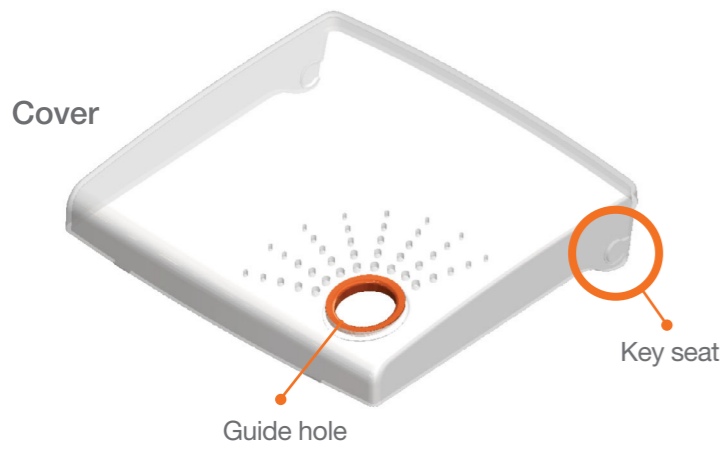
Ø5.2 x 10mm



Ø8.0 x 10mm



Surgical Kit Instruction



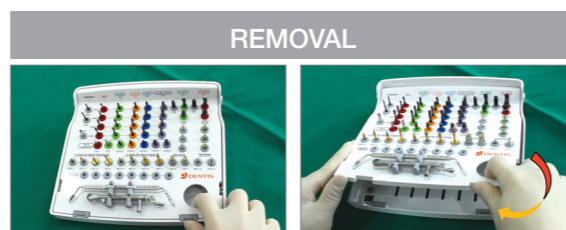
Please raise the cover with finger in the guide hole.



After raising the cover at a right angle, please separate it.



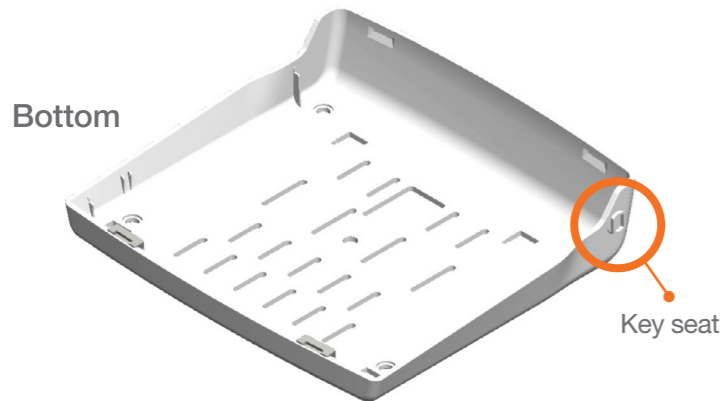
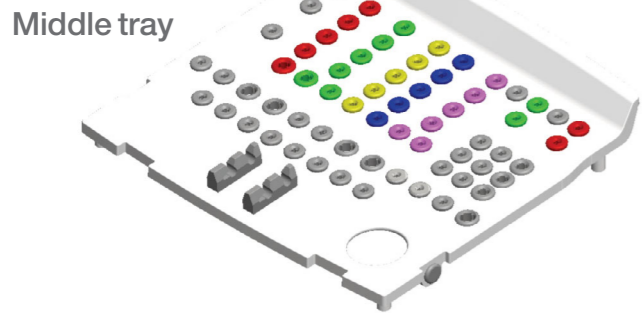
After raising the cover at a right angle, please assemble it with a key seat properly.



Please raise the middle tray with finger in the guide hole as following this arrow.



The lower part of middle tray is inserted first, and please press the upper part.



OneQ-SL Premium Surgical Kit

DLIND23L
DLIND23S
Option

DPD

DDE

DOTD2508 DOTD2808 DOTD3108 DOTD3608 DOTD4208 DOTD5312
DOTD2510 DOTD2810 DOTD3110 DOTD3610 DOTD4210 DOTD6412
DOTD2512 DOTD2812 DOTD3112 DOTD3612 DOTD4212 DSPD57
DOTD2514 DOTD2814 DOTD3114 DOTD3614 DOTD4214
Option

Fixture
Ø3.0, 3.3 Only

DSOFST30
DSOFST33

DSOCS39 DSOCS60
DSOCS42 DSOCS70
DSOCS47 DSOCS80
DSOCS52 Option

Lindemann Drill Point Drill Drill Extension OneQ straight Twist Drill OneQ Surgical Tap OneQ Countersink

Probe Depth Gauge

DPDG

Torque Ratchet

DTR

Code - DSOK

s-Clean No-Mount Driver & Ratchet Driver s-Clean No-Mount Driver & Ratchet Driver Hex Driver Tap Driver Path Guide Pin for s-Clean Fixture Parallel Pin for Drill

DSNDSS DSRDSS
DSNDL DSRDSL
Option Option

DSNDS DRMDSS
DSNDL DRMDL

DRHDS125 DRHDL125

DMHD24 DRHDS24
Option Option

DSPGPM DSPGPR

DPPD

OneQ-SL Advanced Surgical Kit

DPD DLIND23L DDE DOTD2514 DOTD2814 DOTD3114 DOTD3614 DOTD4214 DSOCS39
DSOCS42
DSOCS47
DSOCS52

Point Drill Lindemann Drill Drill Extension OneQ straight Twist Drill OneQ Countersink

Point Drill Lindemann Drill Drill Extension OneQ straight Twist Drill OneQ Countersink

Point Drill Lindemann Drill Drill Extension OneQ straight Twist Drill OneQ Countersink

Ratchet Wrench

DRW

Code - DSOSK

OneQ Surgical Tap s-Clean No-Mount Driver & Ratchet Driver s-Clean No-Mount Driver & Ratchet Driver Tap Driver Parallel Pin for Drill Path Guide Pin for s-Clean Fixture Hex Driver

Fixture Ø3.0, 3.3 Only

DSOFST30
DSOFST33 DSNDSS
DSNDSL DSRDSS
DSRDSL DSNL DRMDSL DMHD24 DRHDS24 DPPD DSPGPM DSPGPR DRHDS125

One System for All
Implant Indications

OneQ-SL

